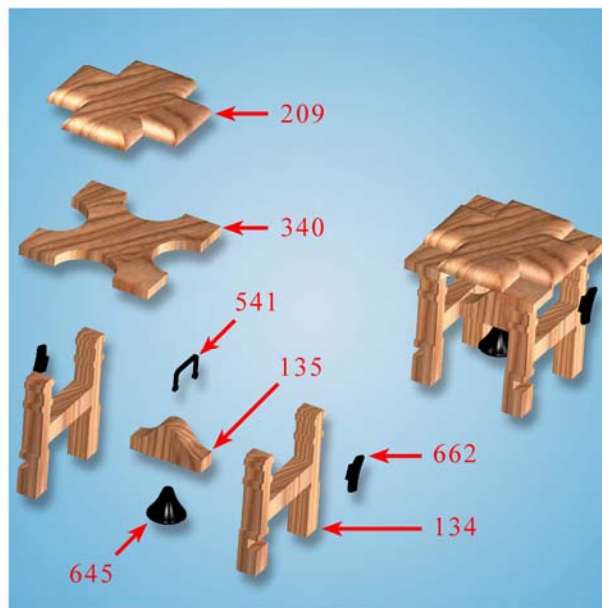


# H.M.S VICTORY 1805

Exact scale model of the 100-Gun British Ship of the Line.

In 1759, although oak was the primary wood source for the construction of Victory, elm, fir, beech and pitch pine were also used. Being built at Chatham Dockyard, under the Master Shipwright John Lock, most of the timber used in the construction of Victory would have come from the nearby Wealden Forests and also from The Forest of Dean which supplied large volumes of timber to all dockyards.



## Manual 3 of 3 Parts List & Part Identification

Additional photos of every stage of construction can be found on our website at:  
<http://www.jotika-ltd.com>

Nelsons Navy Kits manufactured and distributed by JoTiKa Ltd.  
Model Marine Warehouse, Hadzor, Droitwich, WR9 7DS.  
Tel ~ +44 (0) 1905 776 073  
Fax ~ +44 (0) 1905 776 712  
Email ~ [nelsonsnavy@jotika-ltd.com](mailto:nelsonsnavy@jotika-ltd.com)

## Index

For easy reference, the parts list and part identification manual has been split into well-defined categories as follows:

Category	Part Number Range	Page(s)
5mm Ply	1 – 45	2 – 7
5mm Walnut	55 – 79	8 – 9
4mm Walnut	85 – 97	10
3mm Ply	105 – 110	11
3mm Walnut	112 – 194	12 – 15
2mm Walnut	200 – 261	16 – 19
1.5mm Ply	270 – 307	20 – 22
1.5mm Walnut	321 – 432	23 – 28
0.8mm Ply	445 – 462	29 – 31
Brass Etchings	480 – 637	32 – 39
White Metal Castings	645 – 689	40
Copper, Brass & Plastic Fittings	690 – 708	41
Dowel & Wood Fittings	710 – 724	41
Blocks, Wire & Rigging Thread	728 – 761	42
Strip Wood	765 – 783	43

## Notes on Handling Components

During the build it will be necessary to sand down large areas, (after the first and second planking and at other stages) it is therefore advisable to work in a well ventilated area and / or wear appropriate protection. The same applies when using paints, stains, glues, fillers etc. Good lighting is also essential to the modelmaker.

The structural parts of the model are cut from high quality birch plywood, the remaining wood parts are cut from high quality walnut ply and walnut.

Take particular care when removing parts with a craft knife and ensure all parts are identified and marked with pencil before removal. Lay the sheet from which you are going to cut the parts on a rigid flat cutting board for removal. Use a heavy-duty craft knife with a good strong blade to cut through the tabs holding the parts in place. It will also be an advantage to paint the brass etched fittings prior to removal from the sheet, they can then be touched up again when in place. Alternatively when cutting brass or copper parts, a good pair of stout scissors will suffice.

Before each stage of construction, study both the manual and the plans until you are confident in the task ahead.

The majority of the model will be painted during various stages of the build. It is important to think ahead to the next stage in the construction process and paint the various parts at a convenient time, usually before securing on the model. It is often a good idea to paint parts for the next stage and while they are drying you can be working on the current stage.

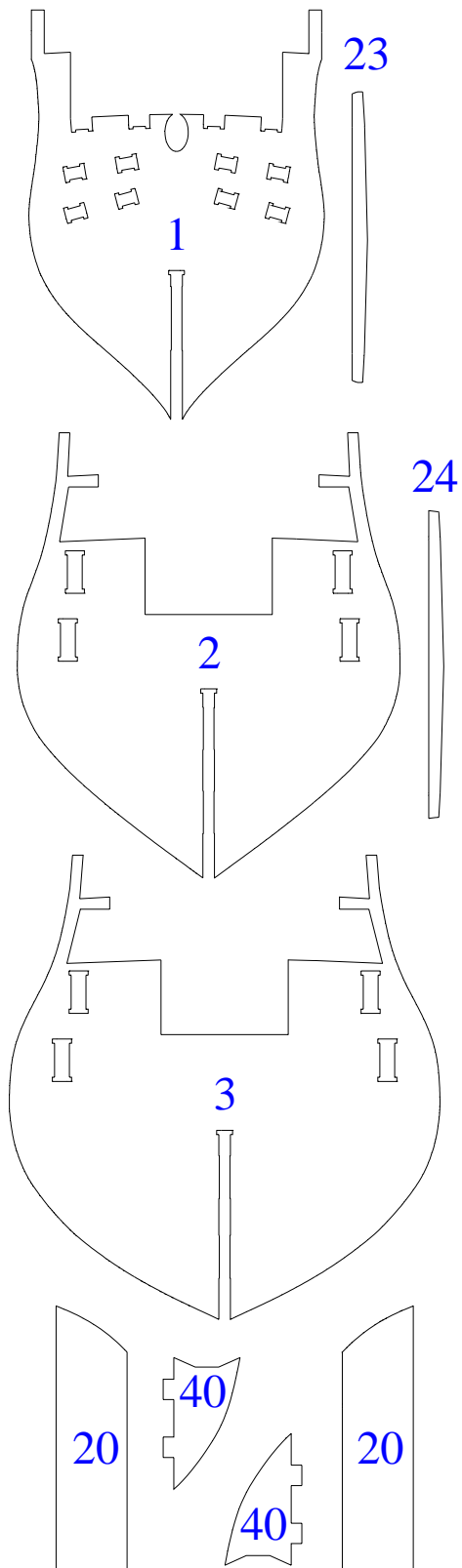
Wherever possible, offer the parts together in a 'dry' fit before final assembly.

**Note:** we strongly recommend that you register your H.M.S. Victory kit. Not only will this allow us to quickly send out any replacement parts, but as we continue to receive ongoing research information we will be manufacturing some new components, (such as the correct taffrail decoration in place of the Prince of Wales Feathers), and these parts will be forwarded to registered customers free of charge.

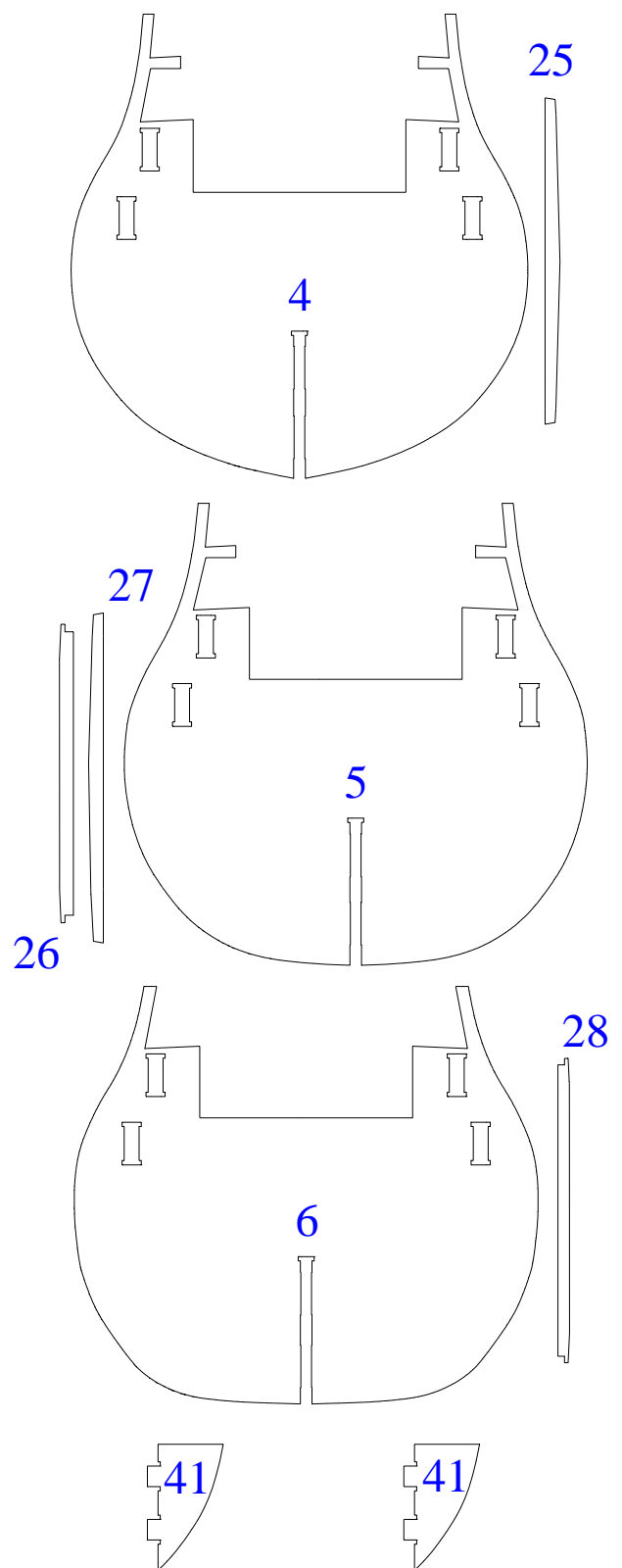
## 5mm Ply

Part No.	Part Description	Material	Qty
1	Bulkhead	5mm Ply	1
2	Bulkhead	5mm Ply	1
3	Bulkhead	5mm Ply	1
4	Bulkhead	5mm Ply	1
5	Bulkhead	5mm Ply	1
6	Bulkhead	5mm Ply	1
7	Bulkhead	5mm Ply	1
8	Bulkhead	5mm Ply	1
9	Bulkhead	5mm Ply	1
10	Bulkhead	5mm Ply	1
11	Bulkhead	5mm Ply	1
12	Bulkhead	5mm Ply	1
13	Bulkhead	5mm Ply	1
14	Bulkhead	5mm Ply	1
15	Bulkhead	5mm Ply	1
16	Bulkhead	5mm Ply	1
17	Bulkhead	5mm Ply	1
18	Bulkhead	5mm Ply	1
19	Keel	5mm Ply	1
20	Plank termination pattern	5mm Ply	2
21	Plank termination pattern	5mm Ply	2
22	Middle gun deck	5mm Ply	1
23	Quarterdeck camber beam (Bulk 1)	5mm Ply	1
24	Quarterdeck camber beam (Bulk 2)	5mm Ply	1
25	Quarterdeck camber beam (Bulk 4)	5mm Ply	1
26	Upper gun deck camber beam (Bulk 5)	5mm Ply	1
27	Quarterdeck camber beam (Bulk 5)	5mm Ply	1
28	Upper gun deck camber beam (Bulk 6)	5mm Ply	1
29	Upper gun deck camber beam (Bulk 7)	5mm Ply	1
30	Upper gun deck camber beam (Bulk 9)	5mm Ply	1
31	Upper gun deck camber beam (Bulk 10)	5mm Ply	1
32	Upper gun deck camber beam (Bulk 11)	5mm Ply	1
33	Quarterdeck camber beam (Bulk 11)	5mm Ply	1
34	Quarterdeck camber beam (Bulk 12)	5mm Ply	1
35	Quarterdeck camber beam (Bulk 13)	5mm Ply	1
36	Quarterdeck camber beam (Bulk 14)	5mm Ply	1
37	Quarterdeck camber beam (Bulk 16)	5mm Ply	1
38	Poop deck camber beam (Bulk 17)	5mm Ply	1
39	Dummy barrel strip	5mm Ply	4
40	Bow forward support (Upper)	5mm Ply	2
41	Bow forward support (Middle)	5mm Ply	2
42	Bow forward support (Lower)	5mm Ply	2
43	Stand end (Aft)	5mm Ply	1
44	Stand end (Fore)	5mm Ply	1
45	Stand sides	5mm Ply	2

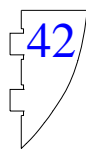
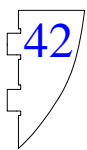
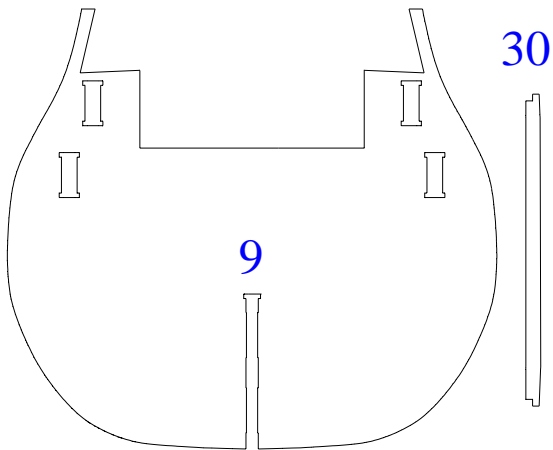
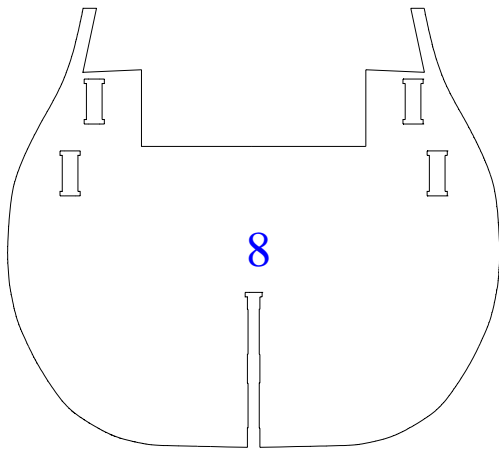
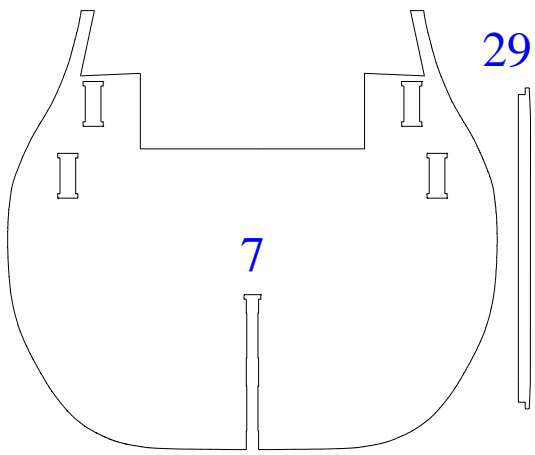
5mm Ply Sheet 1



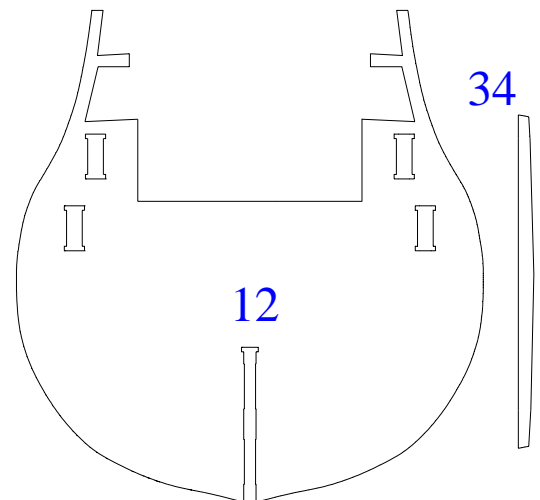
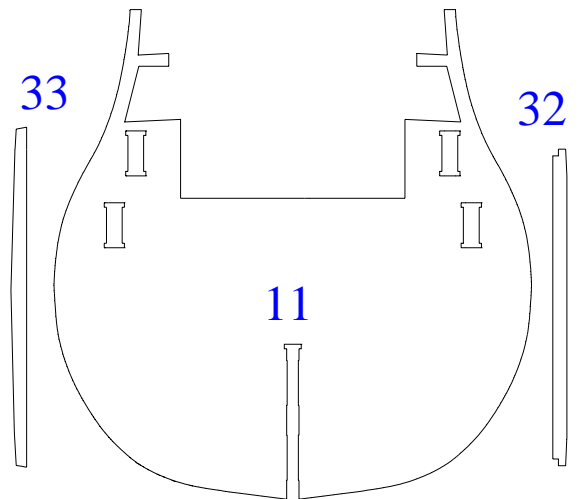
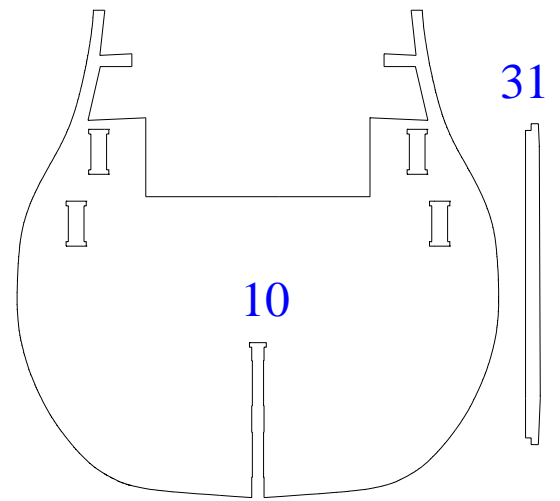
5mm Ply Sheet 2



5mm Ply Sheet 3

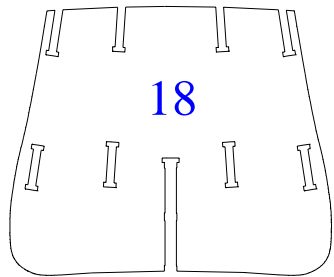
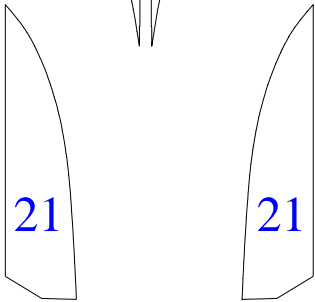
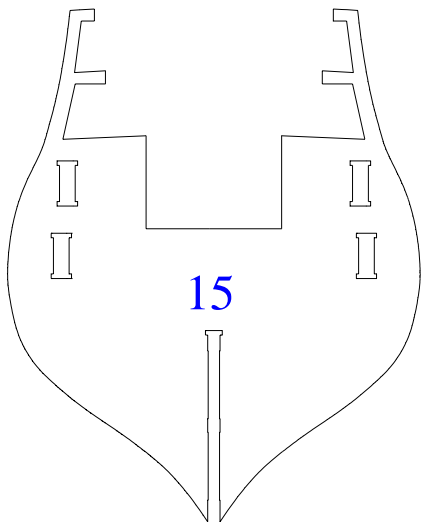
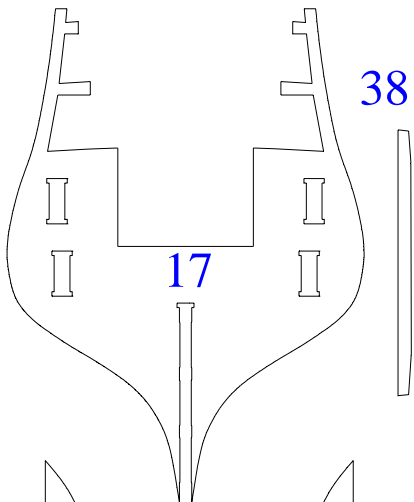
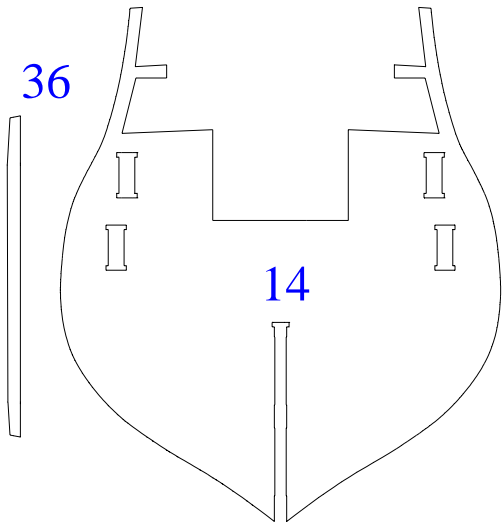
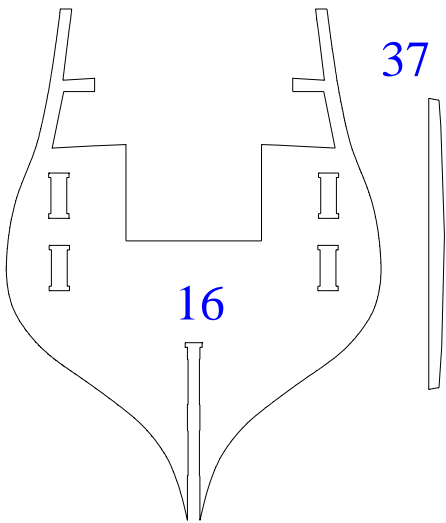
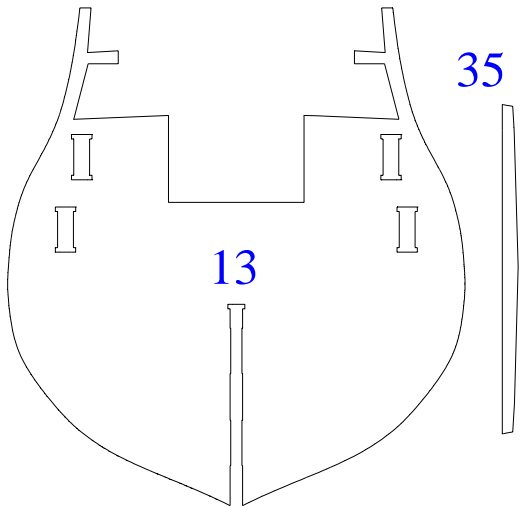


5mm Ply Sheet 4

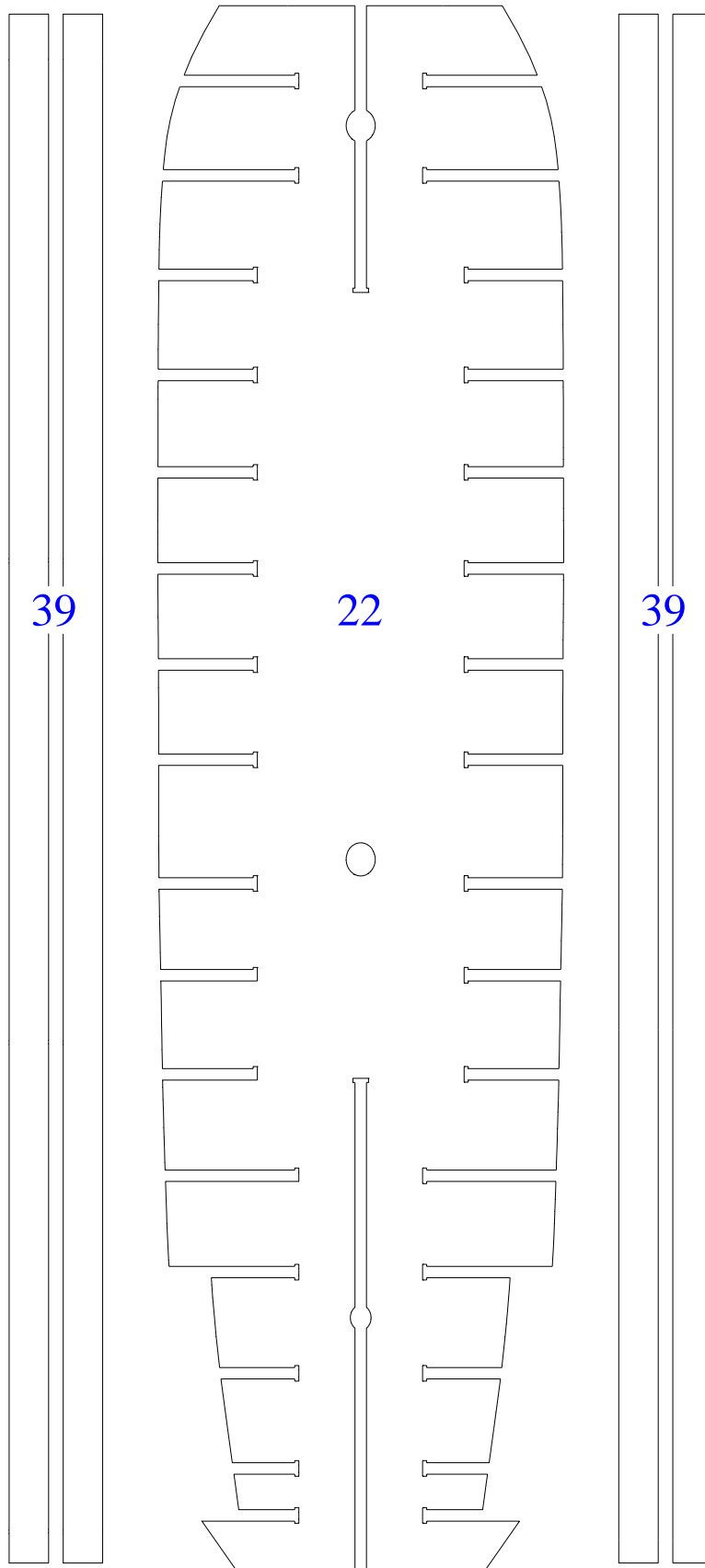


5mm Ply Sheet 5

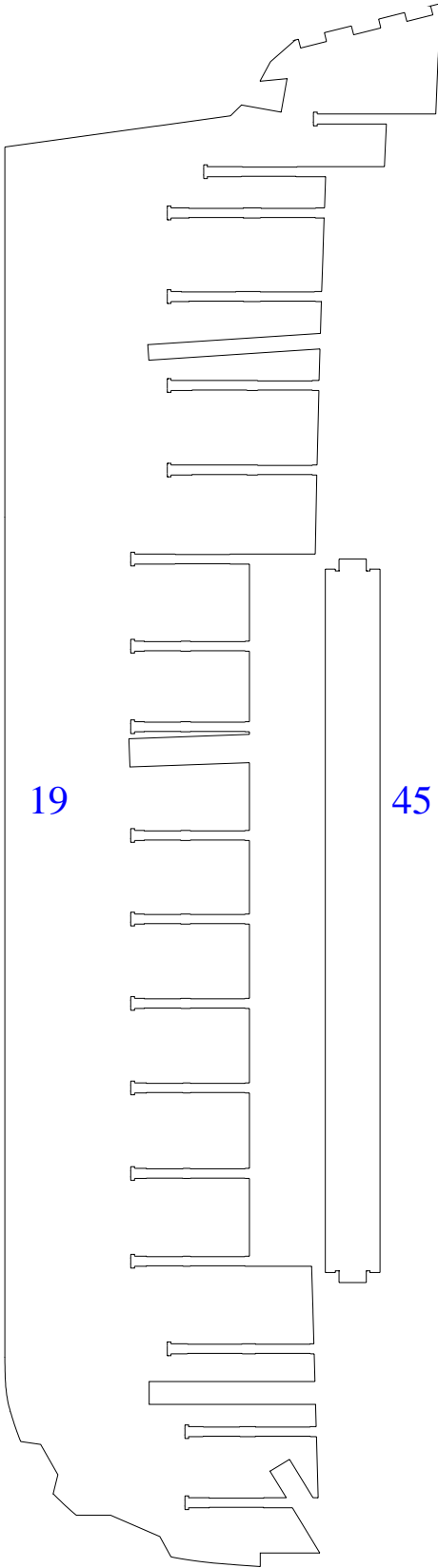
5mm Ply Sheet 6



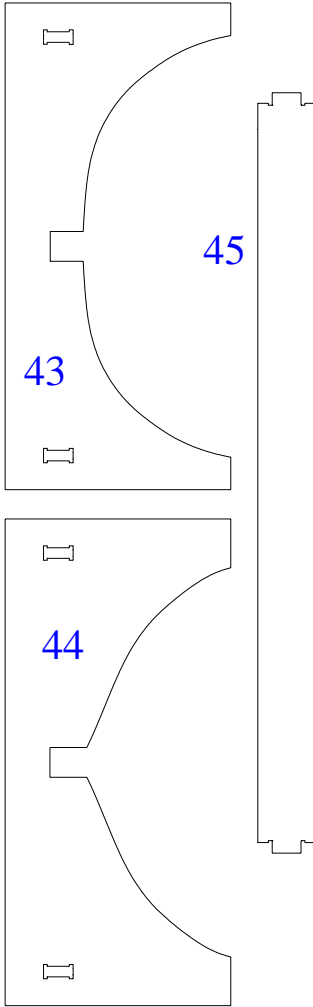
5mm Ply Sheet 7



5mm Ply Sheet 8



5mm Ply Sheet 9

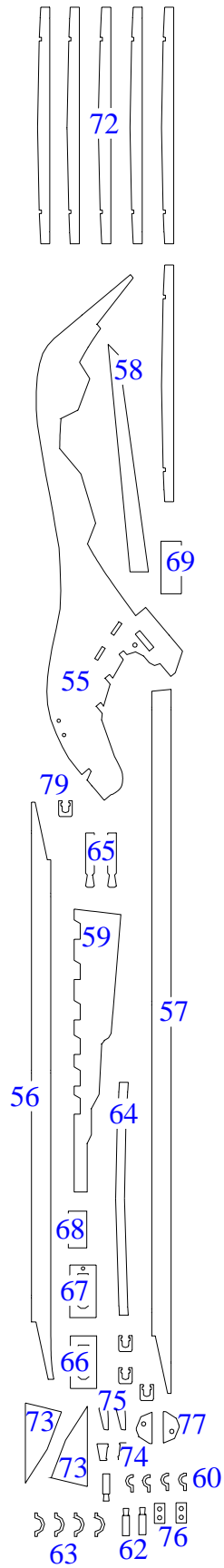




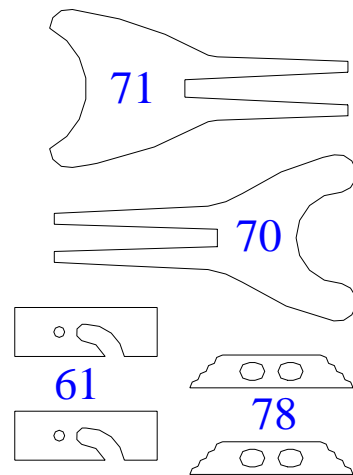
## 5mm Walnut

Part No.	Part Description	Material	Qty
55	Stem	5mm Walnut	1
56	Keelson (Front)	5mm Walnut	1
57	Keelson (Back)	5mm Walnut	1
58	Stern post	5mm Walnut	1
59	Rudder	5mm Walnut	1
60	Forecastle breast beam (U-piece)	5mm Walnut	2
61	Forecastle snatch block	5mm Walnut	2
62	Forecastle kevel	5mm Walnut	3
63	Beakhead bulkhead fiferail (U-piece)	5mm Walnut	2
64	Cat-tail	5mm Walnut	1
65	Knighthead	5mm Walnut	2
66	Fore mast cap	5mm Walnut	1
67	Main mast cap	5mm Walnut	1
68	Mizzen mast cap	5mm Walnut	1
69	Bowsprit cap	5mm Walnut	1
70	Jibboom jaws	5mm Walnut	1
71	Driver gaff jaws	5mm Walnut	1
72	Skid beams	5mm Walnut	6
73	Quarter gallery 1st top decoration	5mm Walnut	2
74	Sheet anchor palm block base	5mm Walnut	2
75	Bower anchor palm block	5mm Walnut	2
76	Stool	5mm Walnut	2
77	Stool	5mm Walnut	2
78	Snatch block (Poop)	5mm Walnut	2
79	10mm open heart block	5mm Walnut	2

5mm Walnut Sheet 1



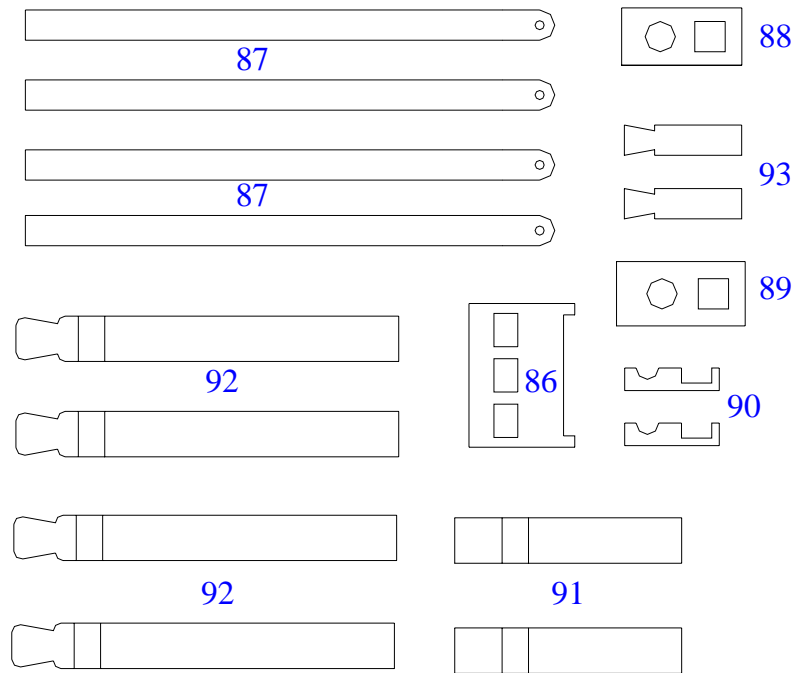
5mm Walnut Sheet 2



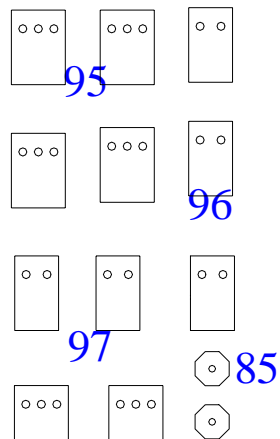
## 4mm Walnut

Part No.	Part Description	Material	Qty
85	Elm tree pump base	4mm Walnut	2
86	Binnacle	4mm Walnut	1
87	Quarter davits	4mm Walnut	4
88	Fore topmast cap	4mm Walnut	1
89	Main topmast cap	4mm Walnut	1
90	Mizzen topmast cap	4mm Walnut	2
91	Fore brace bitt pins (Upper deck, fore)	4mm Walnut	2
92	Main top bowline & Fore topsail sheet bitt pins (Around fore mast)	4mm Walnut	4
93	Forecastle level	4mm Walnut	2
94	Anchor stock	4mm Walnut	8
95	10mm triple jeer block	4mm Walnut	4
96	10mm double jeer block	4mm Walnut	5
97	8.5mm triple cat block	4mm Walnut	2

### 4mm Walnut Sheet 1



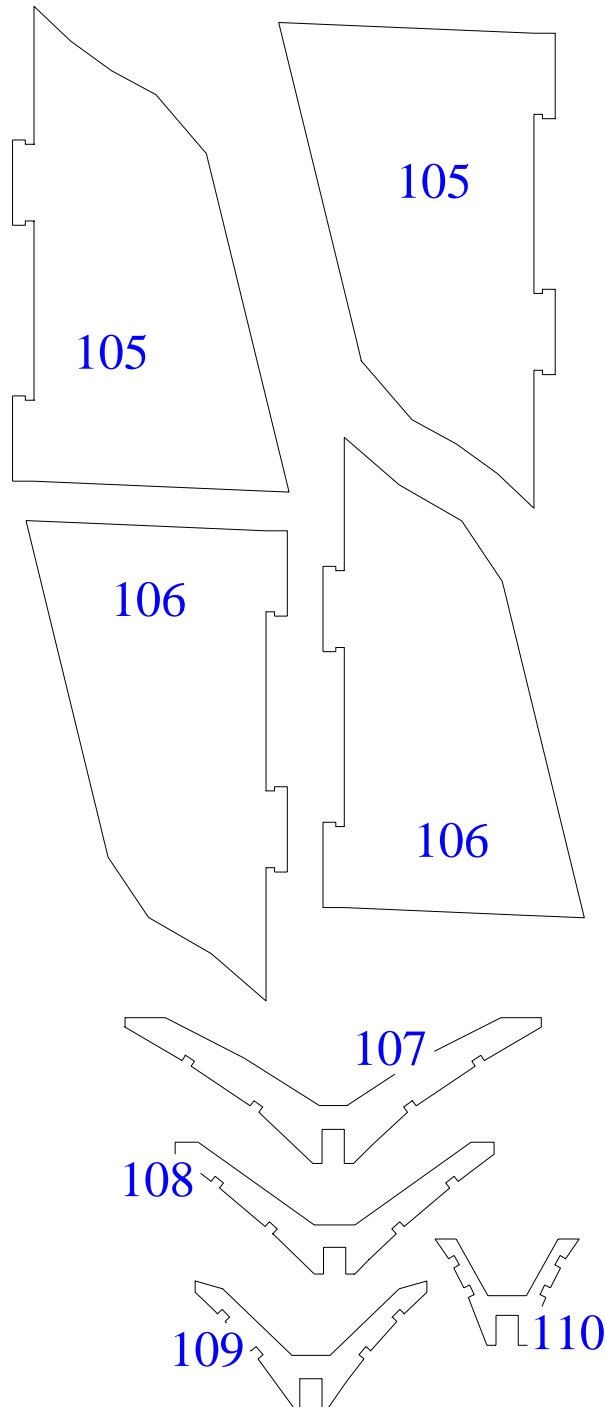
### 4mm Walnut Sheet 2



## 3mm Ply

Part No.	Part Description	Material	Qty
105	Inner stern extension	3mm Ply	2
106	Outer stern extension	3mm Ply	2
107	Head timber	3mm Ply	1
108	Head timber	3mm Ply	1
109	Head timber	3mm Ply	1
110	Head timber	3mm Ply	1

3mm Ply Sheet 1

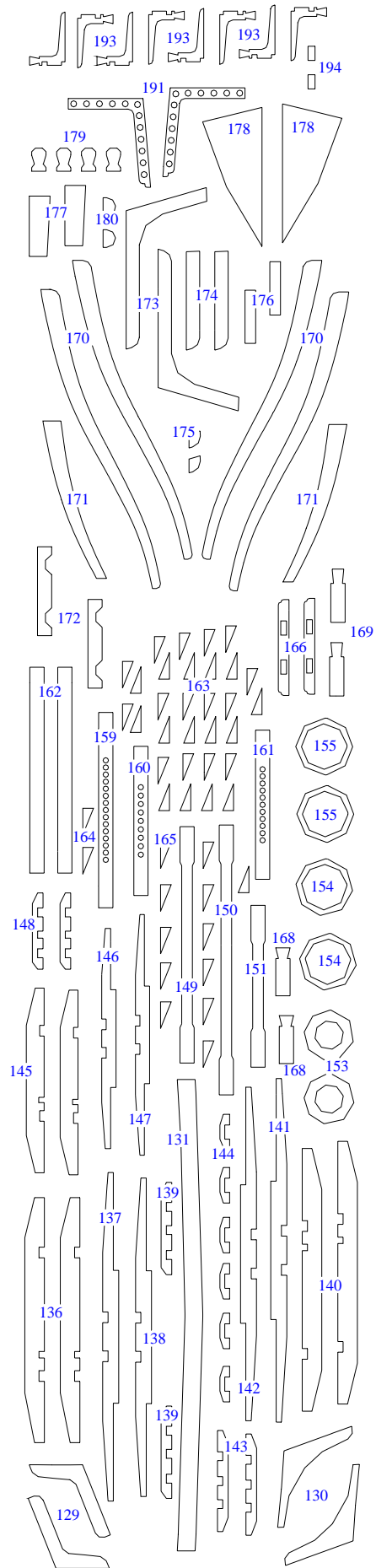


## 3mm Walnut

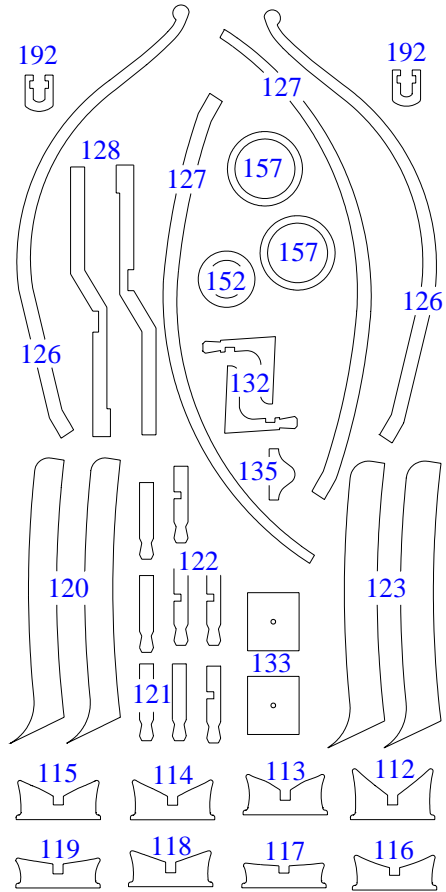
Part No.	Part Description	Material	Qty
112	Barge stand (Fore)	3mm Walnut	1
113	Barge stand (Aft)	3mm Walnut	1
114	Pinnacle stand (Fore)	3mm Walnut	1
115	Pinnacle stand (Aft)	3mm Walnut	1
116	Launch stand (Fore)	3mm Walnut	1
117	Launch stand (Aft)	3mm Walnut	1
118	Cutter stand (Fore)	3mm Walnut	1
119	Cutter stand (Aft)	3mm Walnut	1
120	Hair bracket	3mm Walnut	2
121	Beakhead bulkhead timberheads	3mm Walnut	4
122	Beakhead bulkhead timberheads (With notch)	3mm Walnut	4
123	Lower bow cheek rail	3mm Walnut	2
124	Door for beakhead bulkhead	3mm Walnut	2
125	Bow main rail inner timberhead	3mm Walnut	2
126	Bow (Curved rail upper)	3mm Walnut	2
127	Bow (Curved rail lower)	3mm Walnut	2
128	Marines' walk pillars	3mm Walnut	2
129	Cat-head knee	3mm Walnut	2
130	Cat-head support	3mm Walnut	2
131	Cat-tail	3mm Walnut	1
132	Mizzen topsail sheet bitt pins	3mm Walnut	2
133	Carronade deck block	3mm Walnut	2
134	Belfry support pillars	3mm Walnut	2
135	Belfry cross bar	3mm Walnut	1
136	Fore top trestletree	3mm Walnut	2
137	Fore top crosstree (Rear)	3mm Walnut	1
138	Fore top crosstree (Front)	3mm Walnut	1
139	Fore topmast trestletree	3mm Walnut	2
140	Main top trestletree	3mm Walnut	2
141	Main top crosstree (Rear)	3mm Walnut	1
142	Main top crosstree (Front)	3mm Walnut	1
143	Main topmast trestletree	3mm Walnut	2
144	Jeer block strop cleat	3mm Walnut	6
145	Mizzen top trestletree	3mm Walnut	2
146	Mizzen top crosstree (Rear)	3mm Walnut	1
147	Mizzen top crosstree (Front)	3mm Walnut	1
148	Mizzen topmast trestletree	3mm Walnut	2
149	Fore mast hand mast	3mm Walnut	1
150	Main mast hand mast	3mm Walnut	1
151	Mizzen mast hand mast	3mm Walnut	1
152	Mizzen mast sleeve (Quarterdeck)	3mm Walnut	1
153	Mizzen mast sleeve (Poop deck)	3mm Walnut	2
154	Main mast sleeve (Middle deck)	3mm Walnut	2
155	Main mast sleeve (Upper gun deck)	3mm Walnut	2
156	Main mast sleeve (Quarterdeck)	3mm Walnut	1
157	Fore mast sleeve (Upper gun deck)	3mm Walnut	2
158	Fore brace bitt pins (Aft)	3mm Walnut	2
159	Fore brace bitts	3mm Walnut	1
160	Fore topsail sheet bitts	3mm Walnut	1

161	Main top bowline bitts	3mm Walnut	1
162	Fore brace bitts (Upper deck)	3mm Walnut	2
163	12pdr (Long) cannon carriage quoin	3mm Walnut	30
164	12pdr (Medium) cannon carriage quoin	3mm Walnut	2
165	12pdr (Short) cannon carriage quoin	3mm Walnut	12
166	Quarterdeck staghorn base	3mm Walnut	2
167	Quarterdeck kevel	3mm Walnut	2
168	Quarterdeck kevel	3mm Walnut	2
169	Poop deck kevel	3mm Walnut	2
170	Fenders	3mm Walnut	4
171	Chesstrees	3mm Walnut	2
172	Hawse hole bolsters	3mm Walnut	2
173	Transom knees (Inner)	3mm Walnut	2
174	Transom knees base (Outer)	3mm Walnut	2
175	Transom knees top (Outer)	3mm Walnut	2
176	Poop deck to quarterdeck 1st step	3mm Walnut	2
177	Poop deck to quarterdeck 2nd step	3mm Walnut	2
178	Quarter gallery 2nd top decoration	3mm Walnut	2
179	Quarterdeck framed timberheads	3mm Walnut	4
180	D-block for crossjack lifts	3mm Walnut	2
181	Side steps	3mm Walnut	8
182	Side steps	3mm Walnut	2
183	Side steps	3mm Walnut	2
184	Side steps	3mm Walnut	2
185	Side steps	3mm Walnut	10
186	Side steps	3mm Walnut	2
187	Side steps	3mm Walnut	2
188	Side steps	3mm Walnut	16
189	Side steps	3mm Walnut	2
190	Side steps	3mm Walnut	2
191	Forecastle shot garland	3mm Walnut	2
192	7mm open heart block	3mm Walnut	2
193	Forecastle breast beam support	3mm Walnut	8
194	Fore lower studding sail boom bracket	3mm Walnut	2

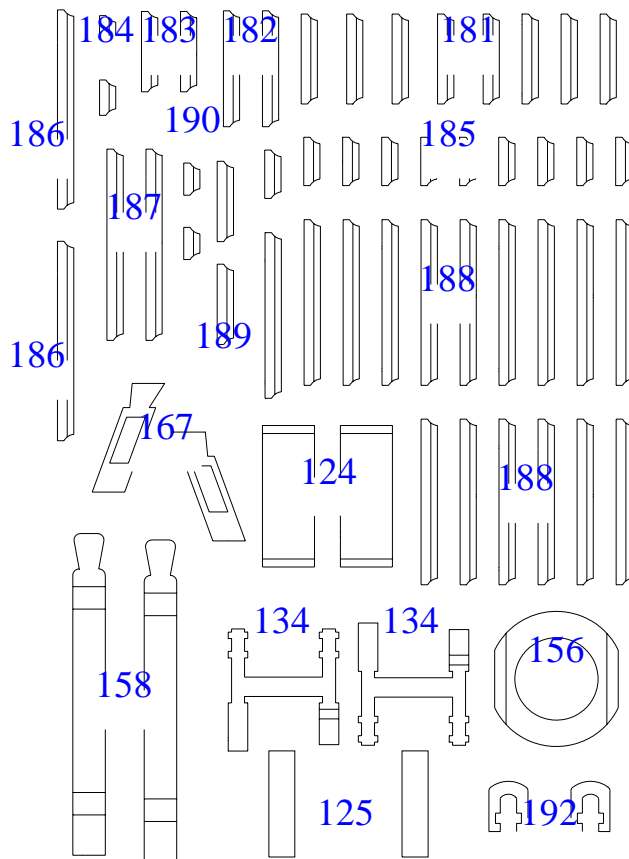
3mm Walnut Sheet 1



3mm Walnut Sheet 2



3mm Walnut Sheet 3



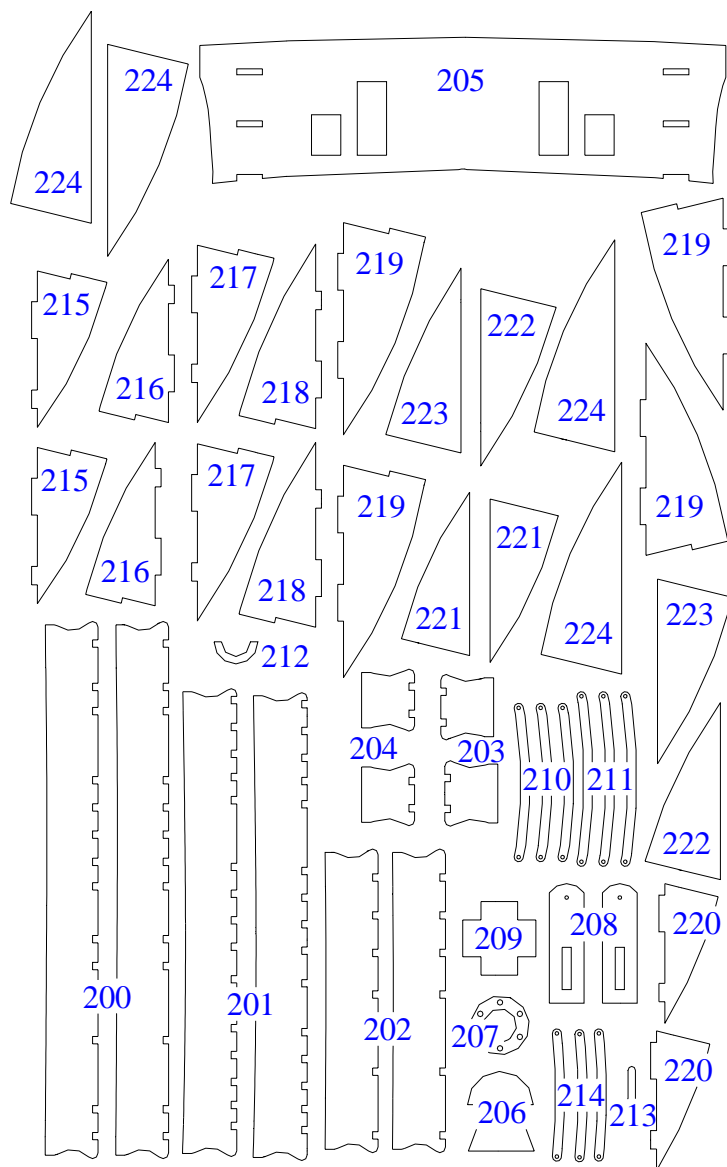


## 2mm Walnut

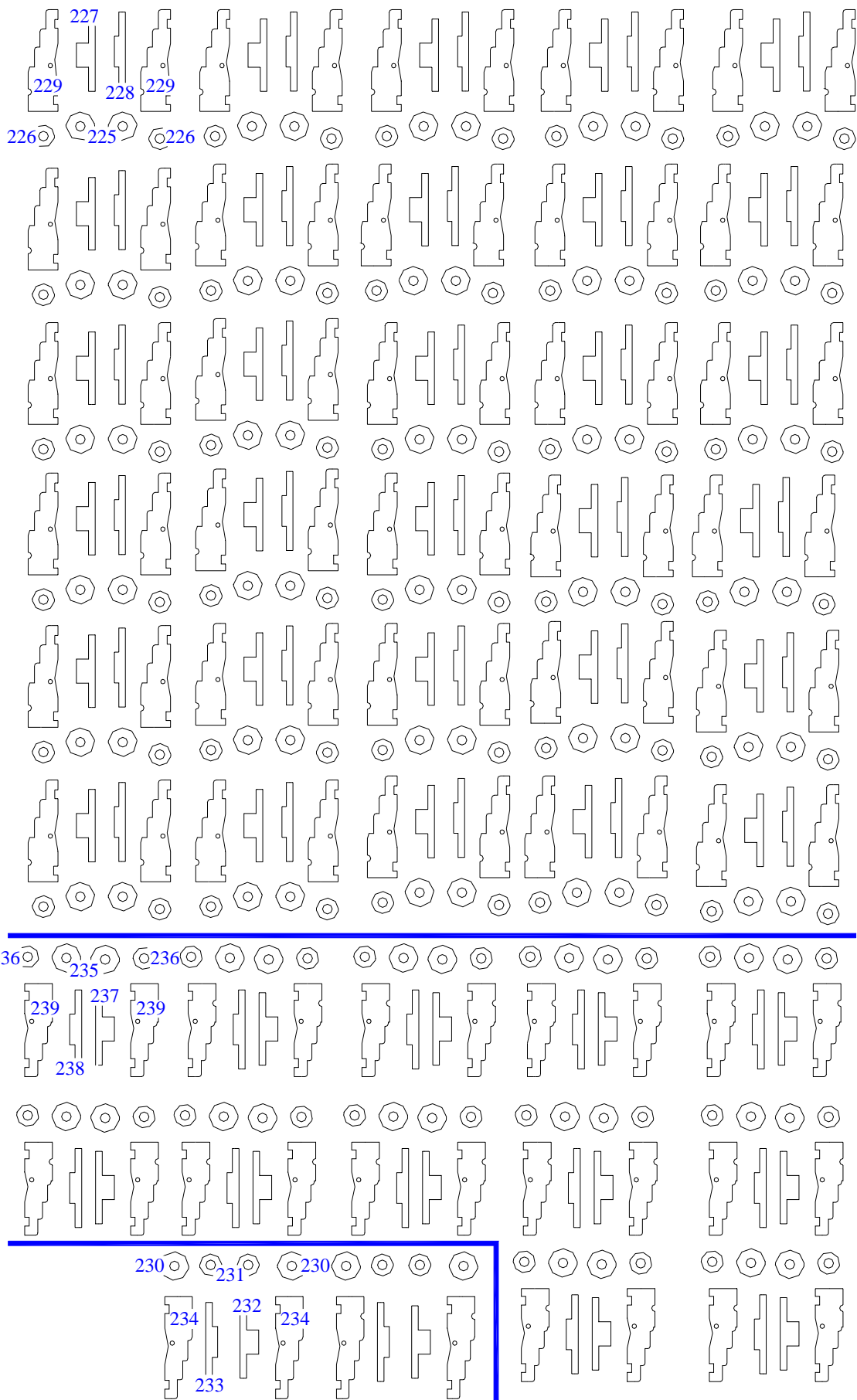
Part No.	Part Description	Material	Qty
200	Main channel	2mm Walnut	2
201	Fore channel	2mm Walnut	2
202	Mizzen channel	2mm Walnut	2
203	Main backstay channel	2mm Walnut	2
204	Mizzen backstay channel	2mm Walnut	2
205	Beakhead bulkhead (Bulk 1)	2mm Walnut	1
206	Roundhouse top	2mm Walnut	2
207	Mizzen mast circular fife rail	2mm Walnut	1
208	Carronade sliding bed	2mm Walnut	2
209	Belfry roof	2mm Walnut	1
210	Fore topmast crosstree	2mm Walnut	3
211	Main topmast crosstree	2mm Walnut	3
212	Driver boom saddle	2mm Walnut	1
213	Mizzen topmast middle crosstree	2mm Walnut	1
214	Mizzen topmast crosstree	2mm Walnut	2
215	1st quarter gallery pattern (Top)	2mm Walnut	2
216	2nd quarter gallery pattern	2mm Walnut	2
217	3rd quarter gallery pattern	2mm Walnut	2
218	4th quarter gallery pattern	2mm Walnut	2
219	5th & 6th quarter gallery patterns	2mm Walnut	4
220	7th quarter gallery pattern	2mm Walnut	2
221	2nd quarter gallery insert pattern	2mm Walnut	2
222	3rd quarter gallery insert pattern	2mm Walnut	2
223	4th quarter gallery insert pattern	2mm Walnut	2
224	5th & 6th quarter gallery insert patterns	2mm Walnut	4
225	12pdr (long) cannon carriage front wheel (Large)	2mm Walnut	60
226	12pdr (long) cannon carriage rear wheel (Small)	2mm Walnut	60
227	12pdr (long) cannon carriage front axle (Short)	2mm Walnut	30
228	12pdr (long) cannon carriage rear axle (Long)	2mm Walnut	30
229	12pdr (long) cannon carriage side	2mm Walnut	60
230	12pdr (medium) cannon carriage front wheel (Large)	2mm Walnut	4
231	12pdr (medium) cannon carriage rear wheel (Small)	2mm Walnut	4
232	12pdr (medium) cannon carriage front axle (Short)	2mm Walnut	2
233	12pdr (medium) cannon carriage rear axle (Long)	2mm Walnut	2
234	12pdr (medium) cannon carriage side	2mm Walnut	4
235	12pdr (short) cannon carriage front wheel (Large)	2mm Walnut	24
236	12pdr (short) cannon carriage rear wheel (Small)	2mm Walnut	24
237	12pdr (short) cannon carriage front axle (Short)	2mm Walnut	12
238	12pdr (short) cannon carriage rear axle (Long)	2mm Walnut	12
239	12pdr (short) cannon carriage side	2mm Walnut	24
240	Ladder to Admirals dining cabin sides (Pair)	2mm Walnut	1
241	Companionway ladder sides (Down from upper gun deck) (Pair)	2mm Walnut	3
242	Main companionway ladder sides (Down from quarterdeck) (Pair)	2mm Walnut	1
243	Waist ladder sides (Pair)	2mm Walnut	4
244	Shot garland (Upper deck)	2mm Walnut	2
245	Shot garland (Upper deck)	2mm Walnut	2
246	Shot garland (Upper deck)	2mm Walnut	3
247	Shot garland (Upper deck)	2mm Walnut	2
248	Shot garland (Upper deck)	2mm Walnut	1

249	Shot garland (Upper deck)	2mm Walnut	1
250	Shot garland (Upper deck)	2mm Walnut	1
251	Shot garland (Upper deck)	2mm Walnut	2
252	Shot garland (Upper deck)	2mm Walnut	2
253	Main and fore yard sling cleats	2mm Walnut	4
254	Quarterdeck pinrail (Large)	2mm Walnut	2
255	Quarterdeck pinrail (Small)	2mm Walnut	2
256	Quarterdeck shot garland	2mm Walnut	2
257	Quarterdeck shot garland	2mm Walnut	2
258	Quarterdeck shot garland	2mm Walnut	2
259	Quarterdeck shot garland	2mm Walnut	2
260	Ensign staff support	2mm Walnut	1
261	Mizzen topsail sheet bitt	2mm Walnut	1

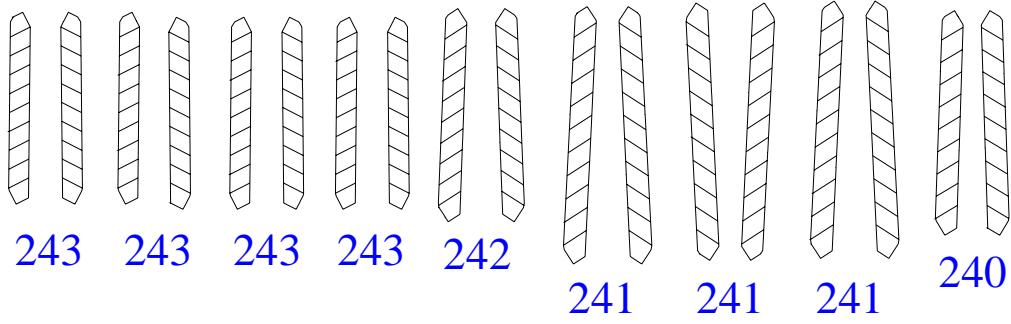
2mm Walnut Sheet 1



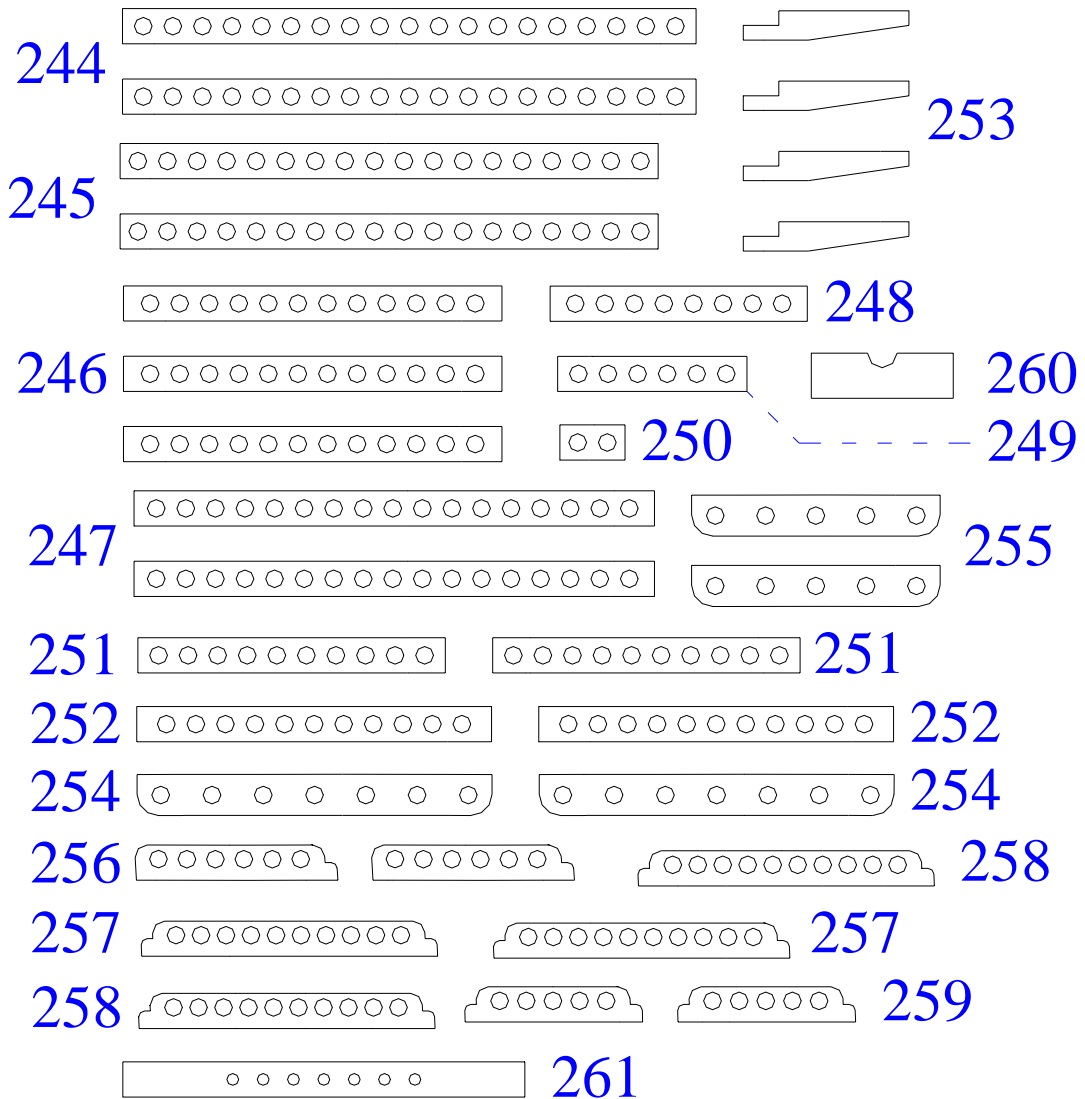
2mm Walnut Sheet 2



2mm Walnut Sheet 3



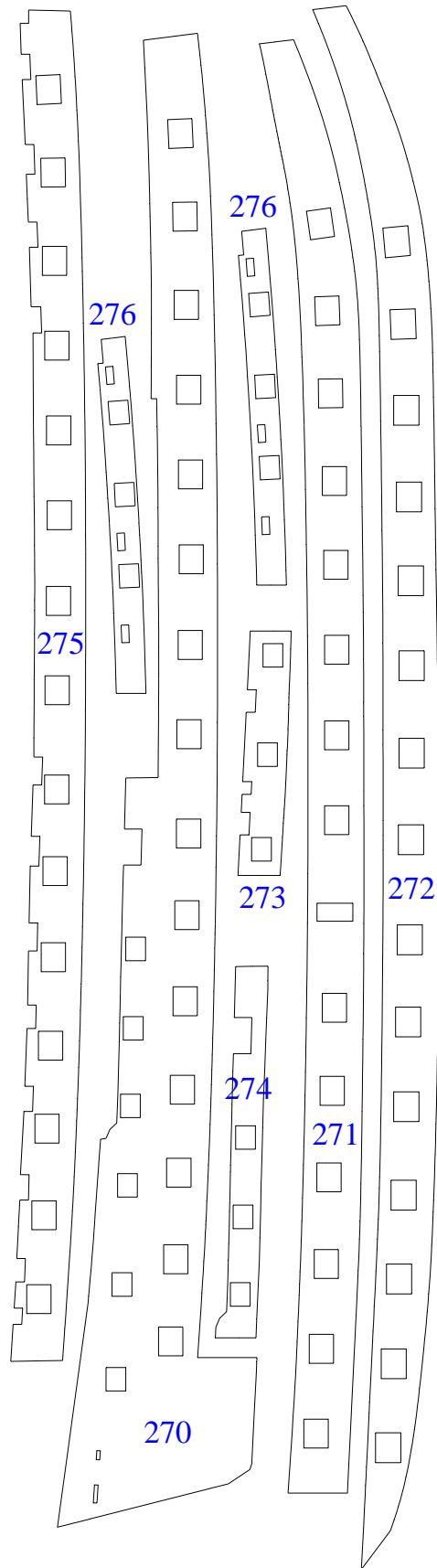
2mm Walnut Sheet 4



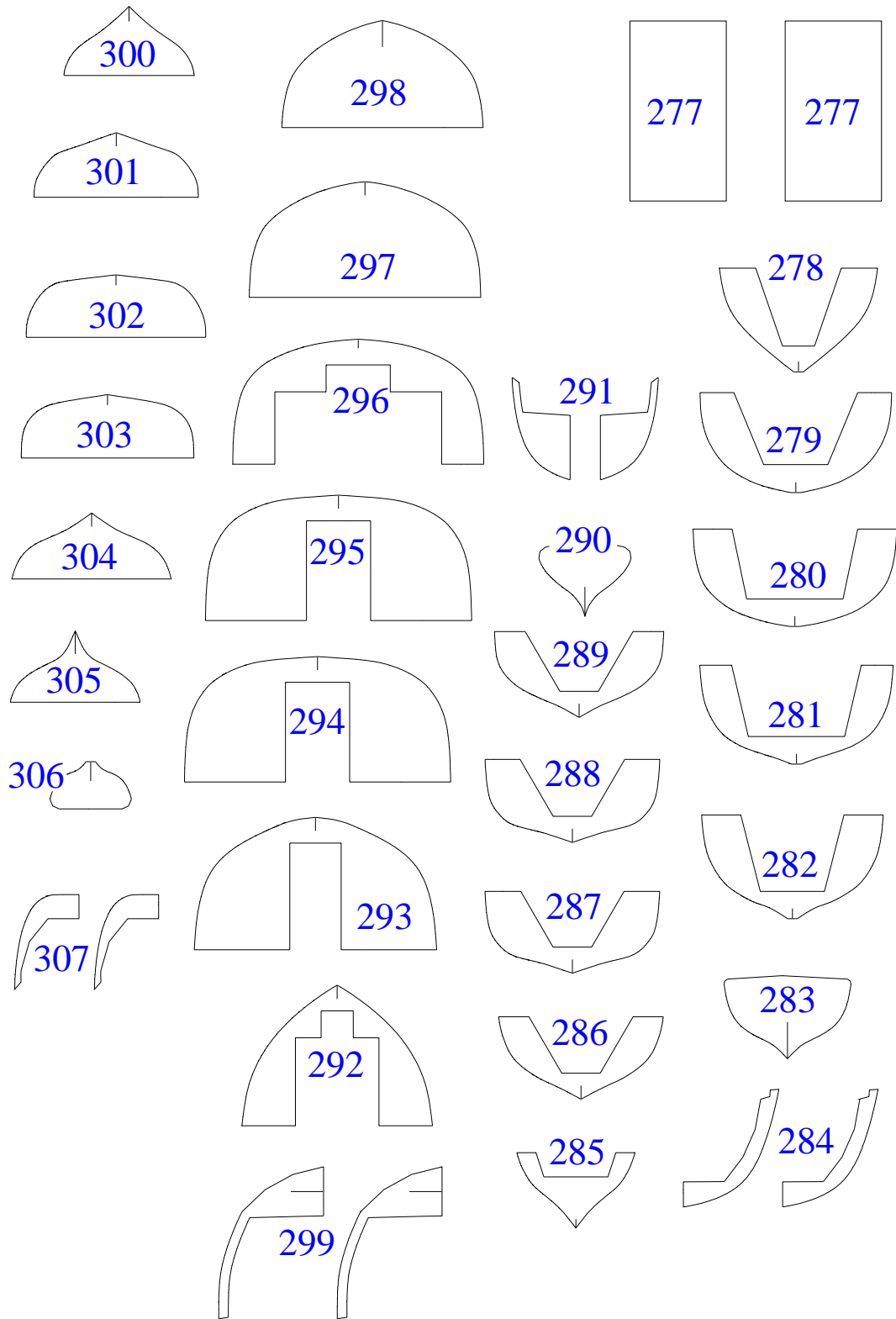
## 1.5mm Ply

Part No.	Part Description	Material	Qty
270	Top gunport pattern	1.5mm Ply	2
271	Middle gunport pattern	1.5mm Ply	2
272	Lower gunport pattern	1.5mm Ply	2
273	Quarterdeck inner bulwark gunport pattern (Behind cabin)	1.5mm Ply	2
274	Quarterdeck inner bulwark gunport pattern (In front of cabin)	1.5mm Ply	2
275	Upper gun deck inner bulwark gunport pattern	1.5mm Ply	2
276	Raised forecastle gunport (& inner bulwark) pattern	1.5mm Ply	4
277	Poop deck to quarterdeck ladder extension	1.5mm Ply	2
278	Barge bulkhead 1	1.5mm Ply	1
279	Barge bulkhead 2	1.5mm Ply	1
280	Barge bulkhead 3	1.5mm Ply	1
281	Barge bulkhead 4	1.5mm Ply	1
282	Barge bulkhead 5	1.5mm Ply	1
283	Barge bulkhead 7	1.5mm Ply	1
284	Barge forward plank termination	1.5mm Ply	2
285	Pinnacle bulkhead 1	1.5mm Ply	1
286	Pinnacle bulkhead 2	1.5mm Ply	1
287	Pinnacle bulkhead 3	1.5mm Ply	1
288	Pinnacle bulkhead 4	1.5mm Ply	1
289	Pinnacle bulkhead 5	1.5mm Ply	1
290	Pinnacle bulkhead 7	1.5mm Ply	1
291	Pinnacle forward plank termination	1.5mm Ply	2
292	Launch bulkhead 1	1.5mm Ply	1
293	Launch bulkhead 2	1.5mm Ply	1
294	Launch bulkhead 3	1.5mm Ply	1
295	Launch bulkhead 4	1.5mm Ply	1
296	Launch bulkhead 5	1.5mm Ply	1
297	Launch bulkhead 6	1.5mm Ply	1
298	Launch bulkhead 7	1.5mm Ply	1
299	Launch forward plank termination	1.5mm Ply	2
300	Cutter bulkhead 1	1.5mm Ply	1
301	Cutter bulkhead 2	1.5mm Ply	1
302	Cutter bulkhead 3	1.5mm Ply	1
303	Cutter bulkhead 4	1.5mm Ply	1
304	Cutter bulkhead 5	1.5mm Ply	1
305	Cutter bulkhead 6	1.5mm Ply	1
306	Cutter bulkhead 7	1.5mm Ply	1
307	Cutter forward plank termination	1.5mm Ply	1

1.5mm Ply Sheet 1



1.5mm Ply Sheet 2



## 1.5mm Walnut

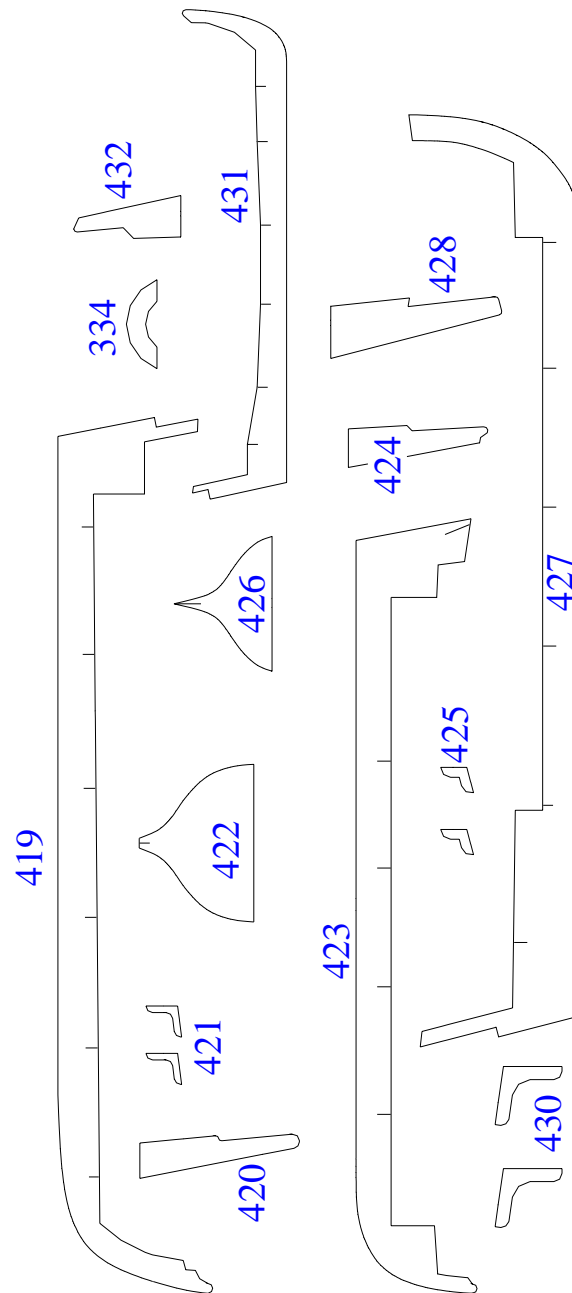
Part No.	Part Description	Material	Qty
321	Beakhead platform	1.5mm Walnut	1
322	Beakhead platform	1.5mm Walnut	1
323	Lower gunport lids	1.5mm Walnut	32
324	Middle and upper gun deck gunport lids	1.5mm Walnut	42
325	Quarterdeck gunport lids	1.5mm Walnut	4
326	Quarterdeck gunport half lids	1.5mm Walnut	4
327	Gunport lid for beakhead bulkhead	1.5mm Walnut	2
328	Roundhouse pattern for beakhead bulkhead	1.5mm Walnut	6
329	Quarterdeck screen bulkhead (Starboard)	1.5mm Walnut	1
330	Quarterdeck screen bulkhead (Starboard)	1.5mm Walnut	1
331	Quarterdeck screen bulkhead	1.5mm Walnut	1
332	Quarterdeck screen bulkhead (Port)	1.5mm Walnut	1
333	Quarterdeck screen bulkhead (Port)	1.5mm Walnut	1
334	Spritsail yard saddle	1.5mm Walnut	1
335	Skylight end piece	1.5mm Walnut	2
336	Skylight side piece	1.5mm Walnut	2
337	Skylight top	1.5mm Walnut	1
338	Forecastle breast beam	1.5mm Walnut	2
339	Carronade carriage	1.5mm Walnut	2
340	Belfry roof	1.5mm Walnut	1
341	Ships wheel standard (Aft)	1.5mm Walnut	1
342	Ships wheel standard (Fore)	1.5mm Walnut	1
343	Fore mast cheek	1.5mm Walnut	2
344	Fore mast bibb	1.5mm Walnut	2
345	Fore top platform	1.5mm Walnut	1
346	Fore top gunwale	1.5mm Walnut	1
347	Fore, main, mizzen and flagstaff finishing cap	1.5mm Walnut	4
348	Fore mast cap saddle (large)	1.5mm Walnut	4
349	Fore mast cap saddle (small)	1.5mm Walnut	3
350	Main mast cheek	1.5mm Walnut	2
351	Main mast bibb	1.5mm Walnut	2
352	Main top platform	1.5mm Walnut	1
353	Main top gunwale	1.5mm Walnut	1
354	Main mast cap saddle (large)	1.5mm Walnut	4
355	Main mast cap saddle (small)	1.5mm Walnut	3
356	Mizzen mast cheek	1.5mm Walnut	2
357	Mizzen mast bibb	1.5mm Walnut	2
358	Mizzen top platform	1.5mm Walnut	1
359	Mizzen top gunwale	1.5mm Walnut	1
360	Mizzen mast cap saddle (large)	1.5mm Walnut	3
361	Mizzen mast cap saddle (small)	1.5mm Walnut	2
362	Quarterdeck barricade centre, middle rail	1.5mm Walnut	1
363	Quarterdeck barricade outer, middle rail	1.5mm Walnut	2
364	Quarterdeck barricade upper rail	1.5mm Walnut	1
365	Quarter gallery 1st (Top) skin	1.5mm Walnut	2
366	Quarter gallery 2nd skin	1.5mm Walnut	2
367	Quarter gallery 3rd skin	1.5mm Walnut	2
368	Quarter gallery 4th skin	1.5mm Walnut	2
369	Quarter gallery 5th skin	1.5mm Walnut	2



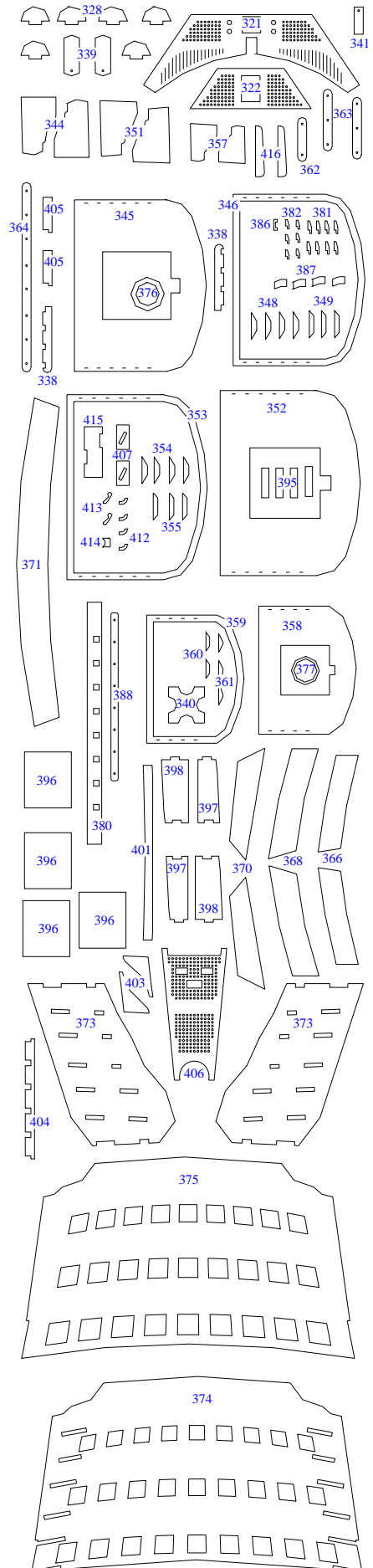
370	Quarter gallery 6th skin	1.5mm Walnut	2
371	Stern counter pattern (Upper)	1.5mm Walnut	1
372	Stern counter pattern (Lower)	1.5mm Walnut	1
373	Main quarter gallery inside pattern	1.5mm Walnut	2
374	Stern fascia (Inner skin)	1.5mm Walnut	1
375	Stern fascia (Outer skin)	1.5mm Walnut	1
376	Fore mast sleeve lower (Quarterdeck)	1.5mm Walnut	1
377	Fore mast sleeve upper (Quarterdeck)	1.5mm Walnut	1
378	Skid beam assembly, side lining	1.5mm Walnut	2
379	Skid beam assembly, fore & aft lining	1.5mm Walnut	2
380	Beakhead bulkhead plank sheer	1.5mm Walnut	1
381	Crossjack yard, fore and main topmast yard, spritsail yard sling cleats	1.5mm Walnut	8
382	Mizzen topmast yard, fore and main topgallant yard sling cleats	1.5mm Walnut	6
383			
384			
385			
386	Driver boom comb cleat	1.5mm Walnut	1
387	Quarterdeck staghorn horns	1.5mm Walnut	4
388	Poop deck barricade rail	1.5mm Walnut	1
389	Upper gun deck screen bulkhead	1.5mm Walnut	1
390	Poop deck capping	1.5mm Walnut	2
391	Quarterdeck capping	1.5mm Walnut	2
392	Ships waist capping	1.5mm Walnut	2
393	Forecastle (Raised) capping	1.5mm Walnut	2
394	Bow main rail	1.5mm Walnut	2
395	Bow main rail outer timberhead	1.5mm Walnut	2
396	Steam trunk sides	1.5mm Walnut	4
397	Flag locker base	1.5mm Walnut	2
398	Flag locker top	1.5mm Walnut	2
399	Flag locker inner side	1.5mm Walnut	2
400	Flag locker outer side	1.5mm Walnut	2
401	Poop deck termination rail	1.5mm Walnut	1
402	Poop deck to quarterdeck ladder sides (Pair)	1.5mm Walnut	2
403	Poop deck support knees	1.5mm Walnut	2
404	Beakhead bulkhead fiferail (Centre)	1.5mm Walnut	1
405	Beakhead bulkhead fiferail (Ends)	1.5mm Walnut	2
406	Gangboards (Marines' walk)	1.5mm Walnut	1
407	Sheet anchor palm block top	1.5mm Walnut	2
408	Moulding swirl left (Small)	1.5mm Walnut	3
409	Moulding swirl right (Small)	1.5mm Walnut	3
410	Moulding swirl left (Large)	1.5mm Walnut	1
411	Moulding swirl right (Large)	1.5mm Walnut	1
412	Moulding 90 degree	1.5mm Walnut	4
413	Moulding termination foot	1.5mm Walnut	2
414	Jibboom support	1.5mm Walnut	1
415	Bowsprit bee flat	1.5mm Walnut	1
416	Bowsprit bee	1.5mm Walnut	2
417	Starboard bee sheave	1.5mm Walnut	1
418	Port bee sheave	1.5mm Walnut	1
419	Barge keel	1.5mm Walnut	1
420	Barge rudder	1.5mm Walnut	1
421	Barge stern knee	1.5mm Walnut	2

422	Barge bulkhead 6	1.5mm Walnut	1
423	Pinnacle keel	1.5mm Walnut	1
424	Pinnacle rudder	1.5mm Walnut	1
425	Pinnacle stern knee	1.5mm Walnut	2
426	Pinnacle bulkhead 6	1.5mm Walnut	1
427	Launch keel	1.5mm Walnut	1
428	Launch rudder	1.5mm Walnut	1
429	Launch davit side (Pair)	1.5mm Walnut	1
430	Launch stern knee	1.5mm Walnut	2
431	Cutter keel	1.5mm Walnut	1
432	Cutter rudder	1.5mm Walnut	1

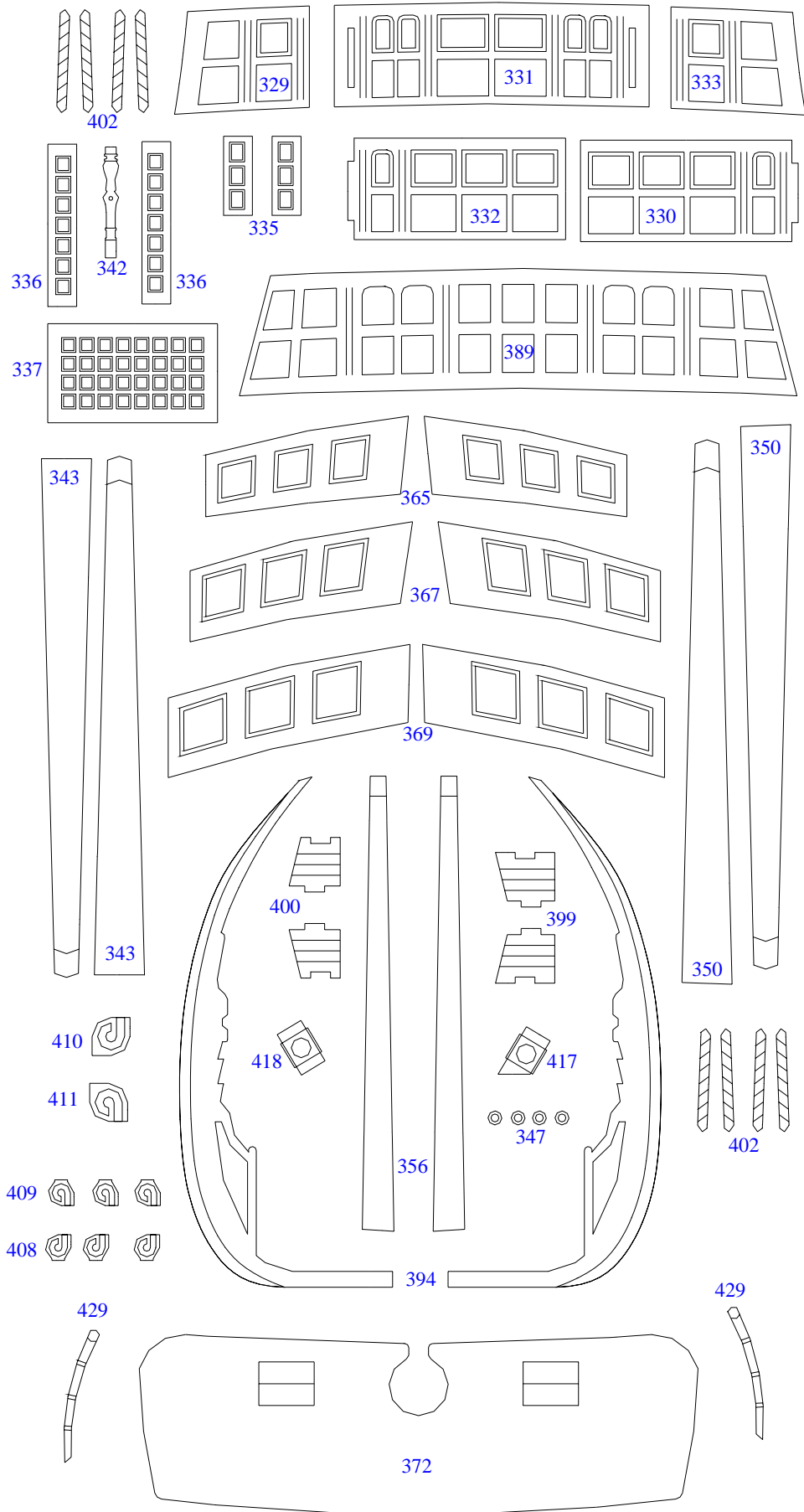
1.5mm Walnut Sheet 1



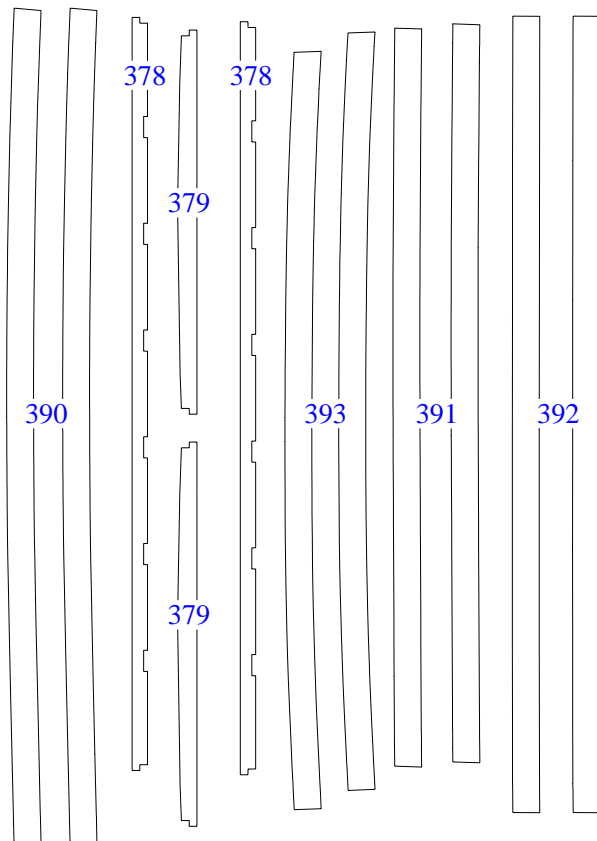
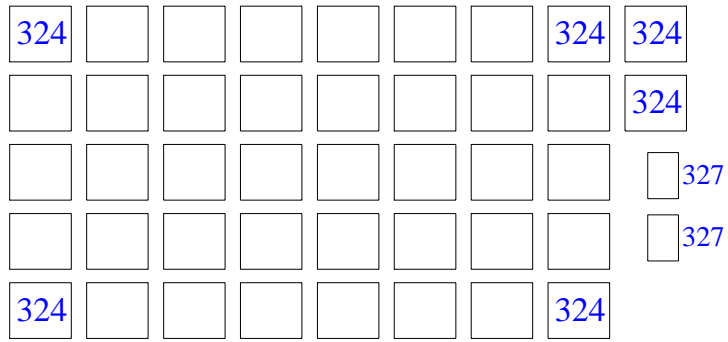
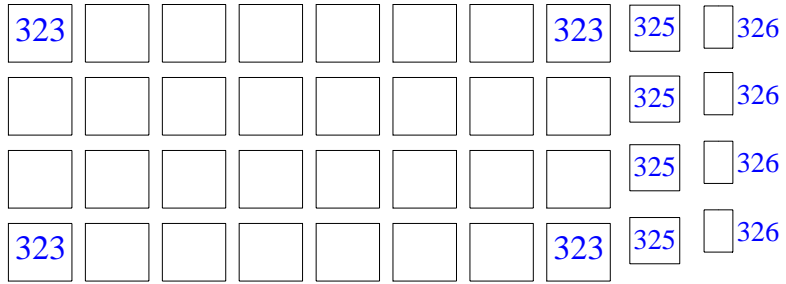
# 1.5mm Walnut Sheet 2



1.5mm Walnut Sheet 3



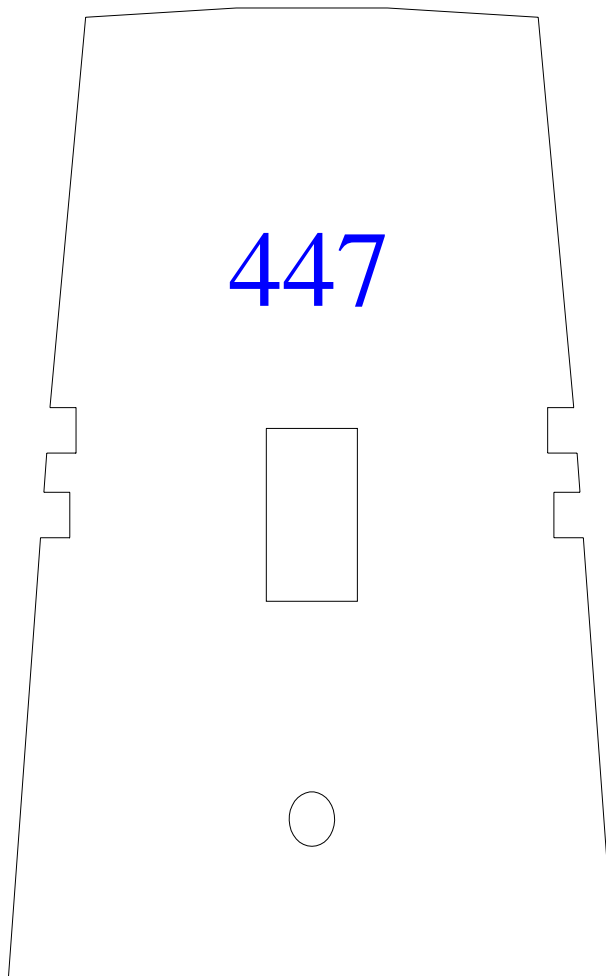
1.5mm Walnut Sheet 4



## 0.8mm Ply

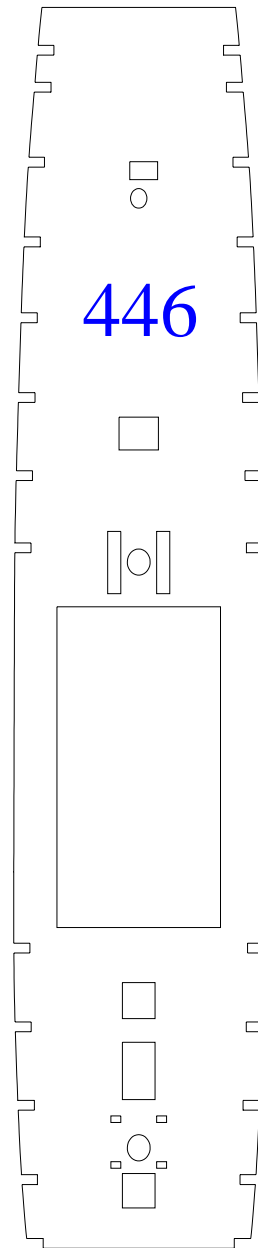
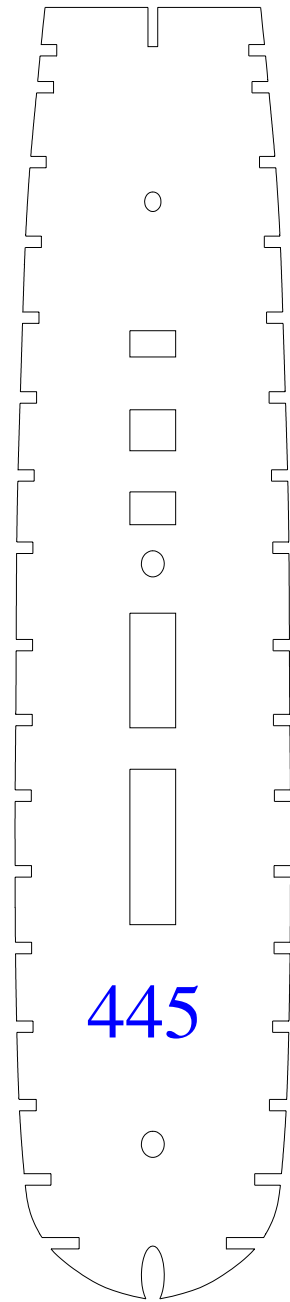
Part No.	Part Description	Material	Qty
445	Upper gun deck	0.8mm Ply	1
446	Quarterdeck	0.8mm Ply	1
447	Poop deck	0.8mm Ply	1
448	1st vertical flag locker template	0.8mm Ply	2
449	2nd vertical flag locker template	0.8mm Ply	2
450	3rd vertical flag locker template	0.8mm Ply	2
451	4th vertical flag locker template	0.8mm Ply	2
452	5th vertical flag locker template	0.8mm Ply	2
453	6th vertical flag locker template	0.8mm Ply	2
454	7th vertical flag locker template	0.8mm Ply	2
455	8th vertical flag locker template	0.8mm Ply	2
456	9th vertical flag locker template	0.8mm Ply	2
457	1st horizontal flag locker template	0.8mm Ply	2
458	2nd horizontal flag locker template	0.8mm Ply	2
459	3rd horizontal flag locker template	0.8mm Ply	2
460	Barge floor	0.8mm Ply	1
461	Pinnacle floor	0.8mm Ply	1
462	Launch floor	0.8mm Ply	1

0.8mm Ply Sheet 1

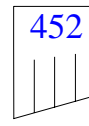
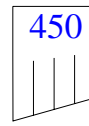
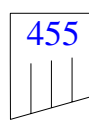
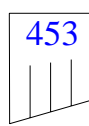
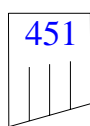
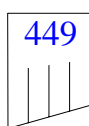
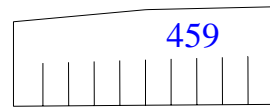
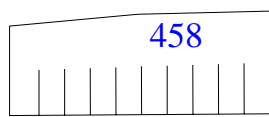
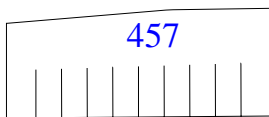


0.8mm Ply Sheet 2

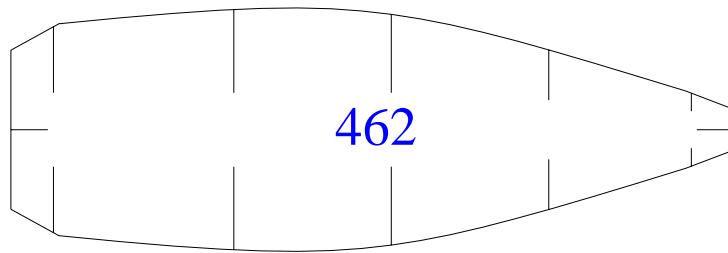
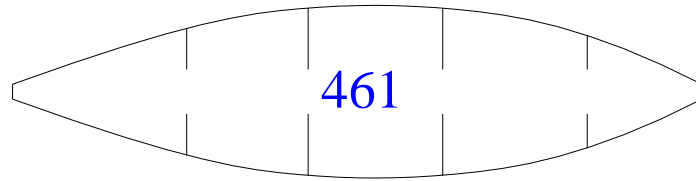
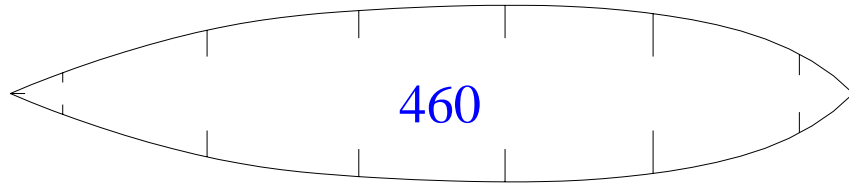
0.8mm Ply Sheet 3



0.8mm Ply Sheet 4



0.8mm Ply Sheet 5





## Brass Etched Components

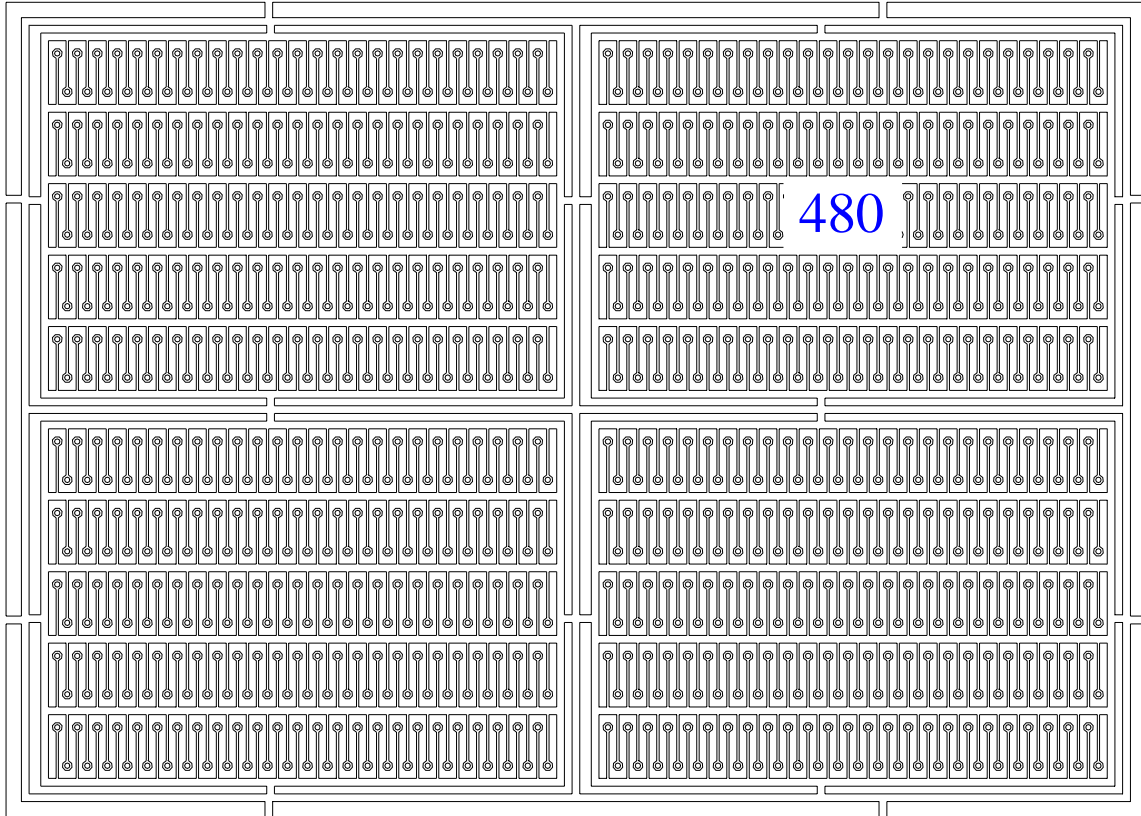
Part No.	Part Description	Material	Qty
480	Brass eyelets	0.3mm Brass	850
481	Lower gun deck gunport rigols	0.5mm Brass	32
482	Middle gun deck and upper gun deck gunport rigols	0.5mm Brass	24
483	Quarterdeck gunport rigols	0.5mm Brass	4
484	Lower gun deck gunport hinges (Right & left hand)	0.5mm Brass	64
485	Middle gun deck and upper gun deck gunport hinges (Right & left hand)	0.5mm Brass	84
486	Middle gun deck double door gunport hinges (Right & left hand)	0.5mm Brass	8
487	Quarterdeck gunport hinges (Right & left hand)	0.5mm Brass	8
488	Quarterdeck double door gunport hinges (Right & left hand)	0.5mm Brass	8
489	Lower stern counter double door vent hinges (Right & left hand)	0.5mm Brass	8
490	Beakhead bulkhead gunport hinges	0.5mm Brass	4
491	Lower gun deck gunport scuttle hinges	0.5mm Brass	32
492	Beakhead bulkhead door hinges	0.5mm Brass	4
493	Main yard stunsail boom iron strap	0.5mm Brass	2
494	Main topmast yard stunsail boom iron strap	0.5mm Brass	2
495	Fore yard stunsail boom iron strap	0.5mm Brass	2
496	Fore topmast yard stunsail boom iron strap	0.5mm Brass	2
497	Elm tree pump iron top plate	0.5mm Brass	1
498	Elm tree pump handle	0.5mm Brass	1
499	Binnacle top	0.5mm Brass	1
500	Binnacle front / back	0.5mm Brass	2
501	Cannon trunnion bracket	0.5mm Brass	88
502	Upper gun deck stanchions	0.5mm Brass	12
503	Window frames for quarterdeck screen bulkheads (Left and right)	0.5mm Brass	8
504	Window frames for quarterdeck screen bulkhead	0.5mm Brass	6
505	Window frames for quarterdeck screen bulkheads (Left and right)	0.5mm Brass	2
506	Carronade trucks	0.5mm Brass	2
507	Window frames for skylight sides	0.5mm Brass	14
508	Window frames for skylight ends	0.5mm Brass	6
509	Window frames for skylight top	0.5mm Brass	32
510	Window frames for quarter gallery 1st skin	0.5mm Brass	6
511	Window frames for quarter gallery 3rd skin	0.5mm Brass	6
512	Window frames for quarter gallery 5th skin	0.5mm Brass	6
513	Window frames for stern fascia	0.5mm Brass	27
514	Rail stanchions for tops	0.5mm Brass	14
515	Quarterdeck stanchions	0.5mm Brass	35
516	Forecastle hammock cranes (Trafalgar)	0.5mm Brass	12
517	Forecastle end (Closed) hammock cranes (Trafalgar)	0.5mm Brass	4
518	Waist hammock cranes	0.5mm Brass	14
519	Waist end (Closed) hammock cranes	0.5mm Brass	4
520	Waist end hammock crane rail stanchions	0.5mm Brass	2
521	Waist hammock crane rail supports	0.5mm Brass	8
522	Quarterdeck hammock cranes	0.5mm Brass	16
523	Quarterdeck end (Closed) hammock cranes	0.5mm Brass	4
524	Waist rail hammock cranes	0.5mm Brass	6
525	Waist rail end (Closed) hammock cranes	0.5mm Brass	2
526	Poop rail hammock cranes	0.5mm Brass	6
527	Poop rail end (Closed) hammock cranes	0.5mm Brass	2
528	Poop end (Closed) hammock crane	0.5mm Brass	2

529	Poop hammock crane	0.5mm Brass	2
530	Poop hammock crane	0.5mm Brass	2
531	Poop hammock crane	0.5mm Brass	2
532	Poop hammock crane	0.5mm Brass	2
533	Poop hammock crane	0.5mm Brass	2
534	Poop hammock crane	0.5mm Brass	2
535	Poop hammock crane	0.5mm Brass	2
536	Poop hammock crane	0.5mm Brass	2
537	Poop end (Closed) hammock crane	0.5mm Brass	2
538	Large lantern	0.5mm Brass	1
539	Medium lantern	0.5mm Brass	2
540	Small lantern	0.5mm Brass	1
541	Belfry handle	0.5mm Brass	1
542	Boarding pikes	0.5mm Brass	42
543	Boarding pike rack base (Without holes)	0.5mm Brass	2
544	Boarding pike rack base (With holes)	0.5mm Brass	2
545	Boarding pike rack top	0.5mm Brass	2
546	Poop bucket pegs	0.5mm Brass	21
547	Small rigging hooks	0.5mm Brass	32
548	Large rigging hooks	0.5mm Brass	30
549	7mm deadeye strops	0.5mm Brass	44
550	5mm deadeye strops	0.5mm Brass	26
551	3.5mm deadeye strops	0.5mm Brass	6
552	3.5mm deadeye futtock strops	0.5mm Brass	24
553	2.5mm deadeye futtock strops	0.5mm Brass	8
554	Fore channel 1st chainplate assemblies	0.5mm Brass	2
555	Fore channel 2nd chainplate assemblies	0.5mm Brass	2
556	Fore channel 3rd chainplate assemblies	0.5mm Brass	2
557	Fore channel 4th chainplate assemblies	0.5mm Brass	2
558	Fore channel 5th chainplate assemblies	0.5mm Brass	2
559	Fore channel 6th chainplate assemblies	0.5mm Brass	2
560	Fore channel 7th chainplate assemblies	0.5mm Brass	2
561	Fore channel 8th chainplate assemblies	0.5mm Brass	2
562	Fore channel 9th chainplate assemblies	0.5mm Brass	2
563	Fore channel 10th chainplate assemblies	0.5mm Brass	2
564	Fore channel 11th chainplate assemblies	0.5mm Brass	2
565	Fore channel 12th chainplate assemblies	0.5mm Brass	2
566	Fore channel 13th chainplate assemblies	0.5mm Brass	2
567	Fore channel 14th chainplate assemblies	0.5mm Brass	2
568	Fore channel 15th chainplate assemblies	0.5mm Brass	2
569	Main channel 1st chainplate assemblies	0.5mm Brass	2
570	Main channel 2nd chainplate assemblies	0.5mm Brass	2
571	Main channel 3rd chainplate assemblies	0.5mm Brass	2
572	Main channel 4th chainplate assemblies	0.5mm Brass	2
573	Main channel 5th chainplate assemblies	0.5mm Brass	2
574	Main channel 6th chainplate assemblies	0.5mm Brass	2
575	Main channel 7th chainplate assemblies	0.5mm Brass	2
576	Main channel 8th chainplate assemblies	0.5mm Brass	2
577	Main channel 9th chainplate assemblies	0.5mm Brass	2
578	Main channel 10th chainplate assemblies	0.5mm Brass	2
579	Main channel 11th chainplate assemblies	0.5mm Brass	2
580	Main channel 12th chainplate assemblies	0.5mm Brass	2

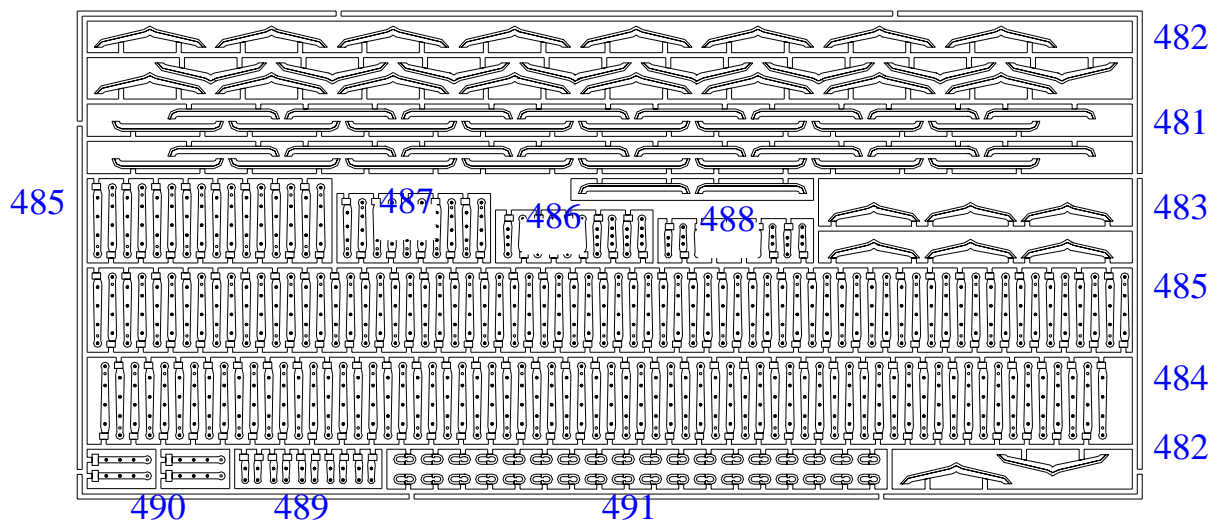
581	Main channel 13th chainplate assemblies	0.5mm Brass	2
582	Main backstay channel 1st chainplate assemblies	0.5mm Brass	2
583	Main backstay channel 2nd chainplate assemblies	0.5mm Brass	2
584	Mizzen channel 1st chainplate assemblies	0.5mm Brass	2
585	Mizzen channel 2nd chainplate assemblies	0.5mm Brass	2
586	Mizzen channel 3rd chainplate assemblies	0.5mm Brass	2
587	Mizzen channel 4th chainplate assemblies	0.5mm Brass	2
588	Mizzen channel 5th chainplate assemblies	0.5mm Brass	2
589	Mizzen channel 6th chainplate assemblies	0.5mm Brass	2
590	Mizzen backstay channel 1st chainplate assemblies	0.5mm Brass	2
591	Mizzen backstay channel 2nd chainplate assemblies	0.5mm Brass	2
592	Kedge anchor	0.5mm Brass	1
593	Kedge anchor palms	0.5mm Brass	2
594	Barge oars	0.5mm Brass	14
595	Launch oars	0.5mm Brass	16
596	Jolly boat oars	0.5mm Brass	4
597	Pinnace oars	0.5mm Brass	8
598	Pinnace crutches	0.5mm Brass	8
599	Boat hooks	0.5mm Brass	8
600	40lb grapnel for jolly boat	0.5mm Brass	1
601	56lb grapnel for pinnace and barge	0.5mm Brass	2
602	84lb grapnel for launch	0.5mm Brass	1
603	Main sheet block spider brackets	0.5mm Brass	4
604	Elm tree pump tube lining	0.5mm Brass	2
605	Ships wheel	0.5mm Brass	4
606	Ships wheel washer	0.5mm Brass	2
607	Parral ribs	0.5mm Brass	42
608	Stern fascia edge moulding	0.5mm Brass	1
609	1st Rudder strap on hull	0.5mm Brass	1
610	1st Rudder strap on rudder	0.5mm Brass	1
611	2nd Rudder strap on hull	0.5mm Brass	1
612	2nd Rudder strap on rudder	0.5mm Brass	1
613	3rd Rudder strap on hull	0.5mm Brass	1
614	3rd Rudder strap on rudder	0.5mm Brass	1
615	4th Rudder strap on hull	0.5mm Brass	1
616	4th Rudder strap on rudder	0.5mm Brass	1
617	5th Rudder strap on hull	0.5mm Brass	1
618	5th Rudder strap on rudder	0.5mm Brass	1
619	6th Rudder strap on hull	0.5mm Brass	1
620	6th Rudder strap on rudder	0.5mm Brass	1
621	Victory name plate (Solid)	0.5mm Brass	1
622			
623			
624	Rudder spectacle plate	0.9mm Brass	1
625	Quarter davit brackets	0.9mm Brass	8
626	Channel support brackets	0.9mm Brass	28
627	Quarter gallery 2nd skin false baluster pattern (Port)	0.9mm Brass	1
628	Quarter gallery 2nd skin false baluster pattern (Starboard)	0.9mm Brass	1
629	Quarter gallery 4th skin false baluster pattern (Port)	0.9mm Brass	1
630	Quarter gallery 4th skin false baluster pattern (Starboard)	0.9mm Brass	1
631	Stern fascia lower false baluster pattern	0.9mm Brass	1
632	Stern fascia upper false baluster pattern	0.9mm Brass	1

633	Stern fascia top moulding	0.9mm Brass	1
634	Beakhead bulkhead central decorative pilaster	0.9mm Brass	1
635	Beakhead bulkhead port roundhouse decorative pilaster	0.9mm Brass	1
636	Beakhead bulkhead starboard roundhouse decorative pilaster	0.9mm Brass	1
637	Roundhouse porthole frame	0.9mm Brass	2

0.3mm Brass Etched Sheet



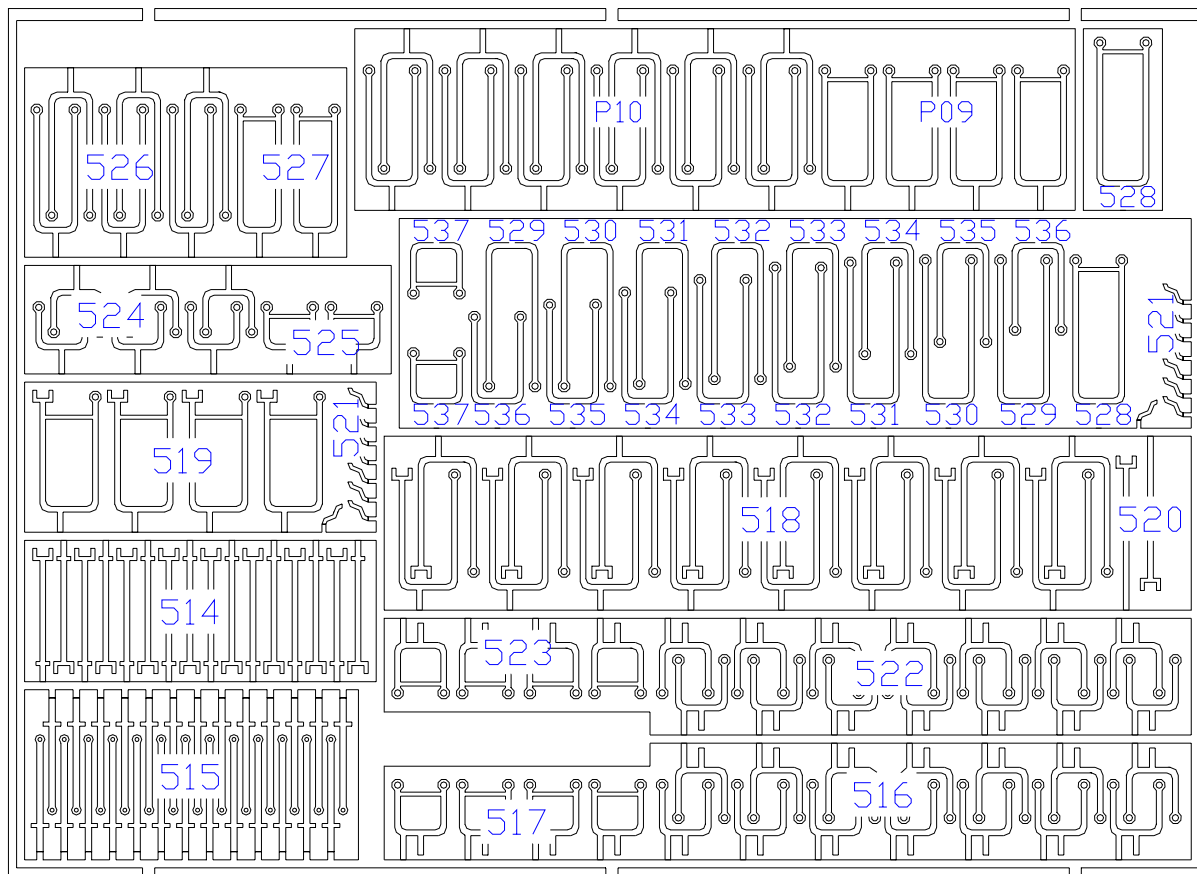
0.5mm Brass Etched Sheet 1



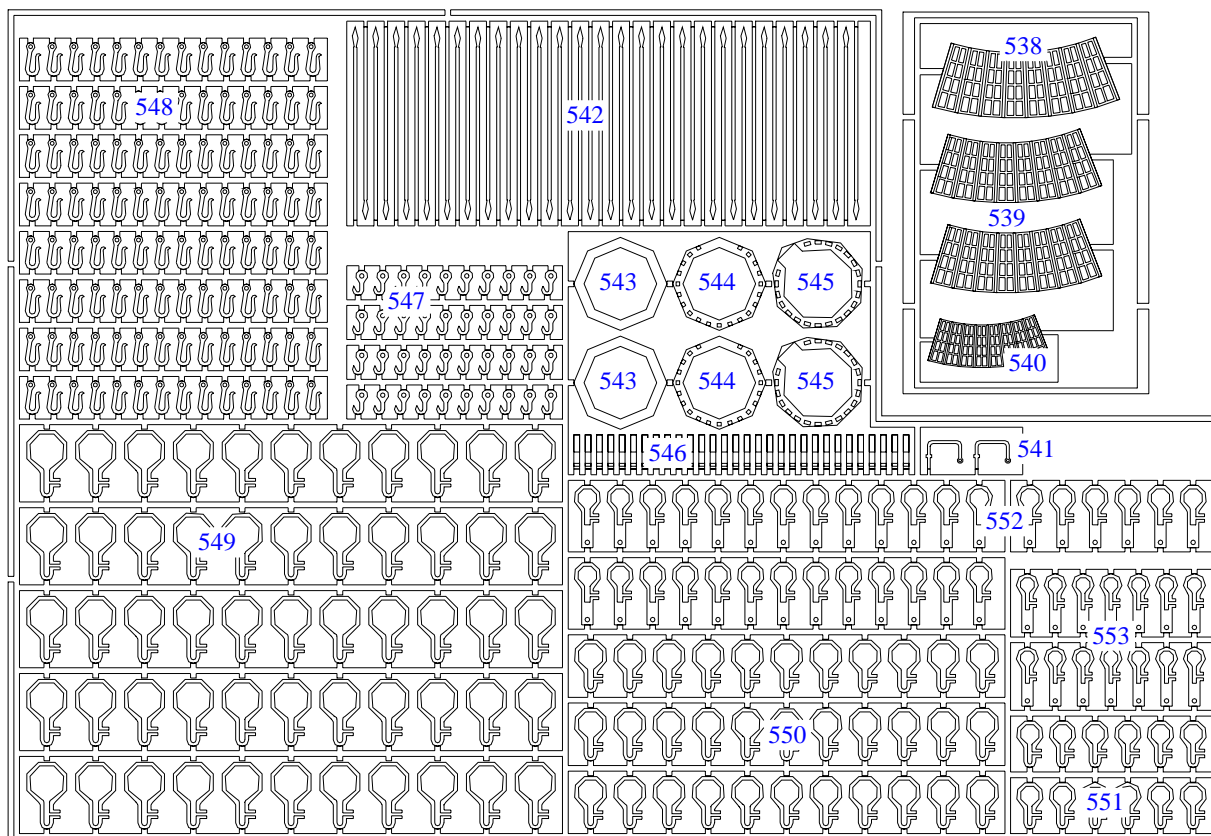
0.5mm Brass Etched Sheet 2



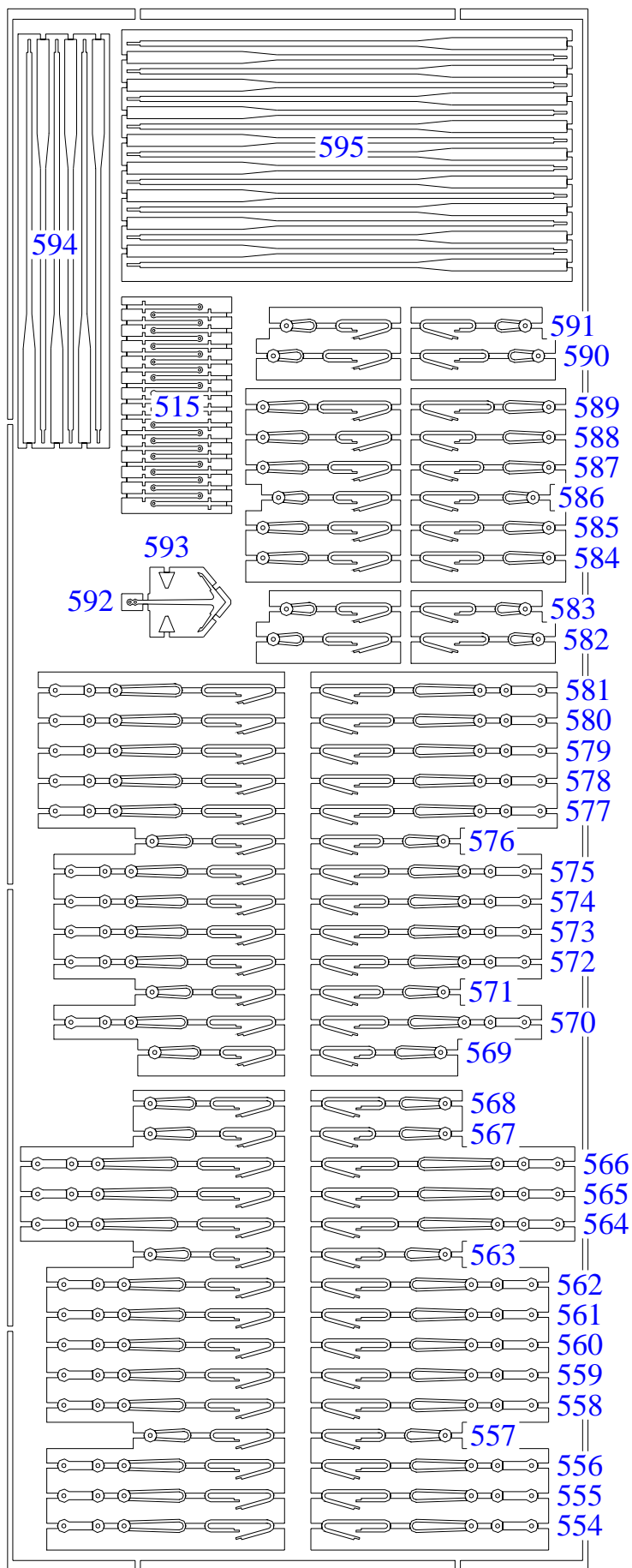
0.5mm Brass Etched Sheet 3



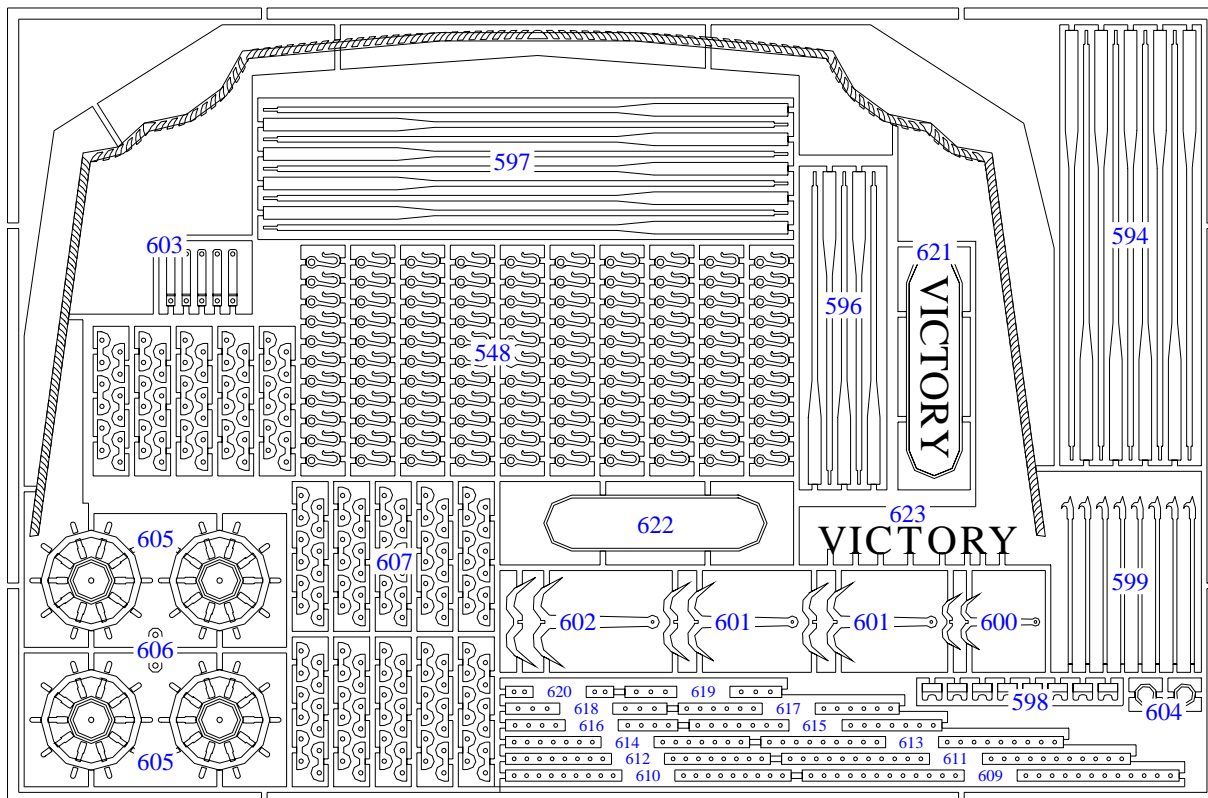
0.5mm Brass Etched Sheet 4



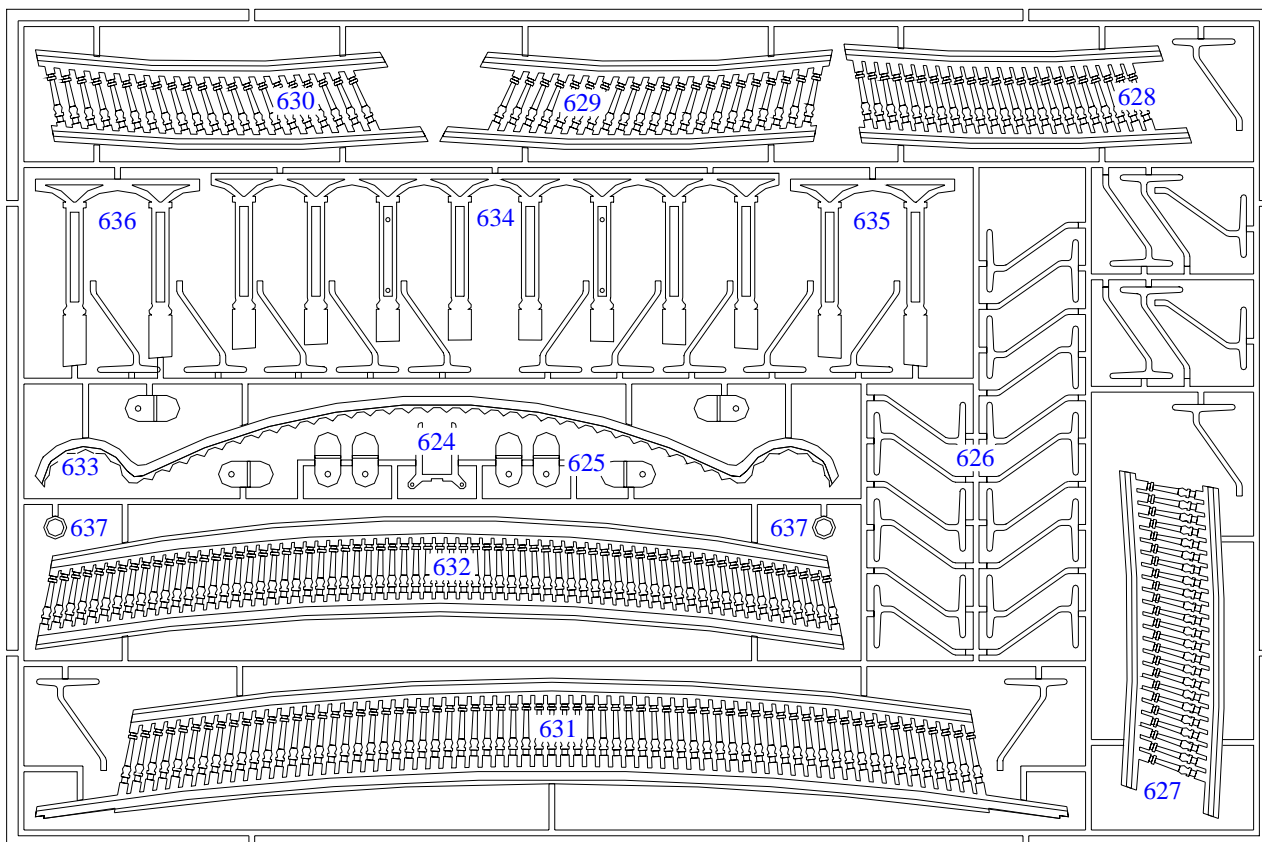
0.5mm Brass Etched Sheet 5



0.5mm Brass Etched Sheet 6



0.9mm Brass Etched Sheet





## White Metal Castings

Part No.	Part Description	Material	Qty
645	Ships bell	Casting	1
646	Galley stove chimney	Casting	1
647	68pdr carronades	Casting	2
648	Carronade trunnion	Casting	4
649	Figurehead crest	Casting	1
650	Figurehead cherubim	Casting	1
651	Figurehead seraphim	Casting	1
652	Figurehead scrollwork (Port)	Casting	1
653	Figurehead scrollwork (Starboard)	Casting	1
654	Large lantern base	Casting	1
655	Large lantern top	Casting	1
656	Medium lantern base	Casting	2
657	Medium lantern top	Casting	2
658	Small lantern base	Casting	1
659	Small lantern top	Casting	1
660	Large cleat	Casting	6
661	Medium cleat	Casting	4
662	Small cleat	Casting	21
663	Ships waist baluster	Casting	2
664	Binnacle chimney	Casting	1
665	Stern decoration figure with swirl (Port)	Casting	1
666	Stern decoration figure with swirl (Starboard)	Casting	1
667	Stern decoration flower swirl (Port)	Casting	1
668	Stern decoration flower swirl (Starboard)	Casting	1
669	Stern decoration scroll (Port)	Casting	1
670	Stern decoration scroll (Starboard)	Casting	1
671	Stern decoration trophy of arms with Prince of Wales feathers	Casting	1
672	Quarter gallery lower finishing and drop decoration (Port)	Casting	1
673	Quarter gallery lower finishing and drop decoration (Starboard)	Casting	1
674	Cat-head crown decoration	Casting	2
675	Side entry arch decoration	Casting	2
676	Side entry arch support decoration	Casting	4
677	Side entry floral decoration under arch	Casting	2
678	Sheet/bower anchors	Casting	4
679	Sheet/bower anchor palms	Casting	8
680	Rudder hinge (With pins)	Casting	6
681	Rudder hinge (Without pins)	Casting	6
682	Rigging trucks	Casting	5
683	Shroud cleats	Casting	24
684	Main lower studding sail boom bracket	Casting	2
685	Main lower studding sail boom support	Casting	2
686	Yard rings	Casting	5
687	Yard rings	Casting	2
688	Yard rings	Casting	15
689	Yard rings	Casting	4

## Copper, Brass & Plastic Fittings

Part No.	Part Description	Material	Qty
690	Copper plates	Copper	2600
691	Copper eyelet	Copper	150
692	Brass profile 1	Brass	2m
693	Brass profile 2	Brass	3m
694	Brass profile 3	Brass	1m
695	Buckets	Brass	21
696	Long nails (Dome head)	Brass	280
697	Short nails (Flat head)	Brass	750
698	32pdr cannon dummy barrels	Brass	30
699	24pdr cannon dummy barrels	Brass	28
700	12pdr cannon long guns	Brass	30
701	12pdr cannon medium guns	Brass	2
702	12pdr cannon short guns	Brass	12
703	Chain	Brass	0.25m
704	Cartridge paper	Paper	A4
705	Cannon balls (Small, 2.0mm)	Plastic	264
706	Cannon balls (Large, 2.5mm)	Plastic	24
707	Glazing	Plastic	A4
708	Parral beads	Plastic	100

## Dowel & Wood Fittings

Part No.	Part Description	Material	Qty
710	12.7mm birch dowel	Dowel	2
711	8mm birch dowel	Dowel	3
712	6mm birch dowel	Dowel	4
713	4mm birch dowel	Dowel	3
714	3mm birch dowel	Dowel	2
715	2mm birch dowel	Dowel	1
716			
717			
718			
719			
720	Grating kits (30pcs)	Wood	10
721	Belaying pins	Wood	72
722	Skid beam support pillars	Wood	12
723	Staircase balusters	Wood	10
724	Turned columns	Wood	8

## Blocks, Wire & Rigging Thread

Part No.	Part Description	Material	Qty
728	7mm deadeye	Block	88
729	5mm deadeye	Block	66
730	3.5mm deadeye	Block	60
731	2.5mm deadeye	Block	16
732	2mm single block	Block	292
733	3mm single block	Block	153
734	3mm double block	Block	41
735	5mm single block	Block	81
736	5mm double block	Block	18
737	7mm single block	Block	35
738	7mm double block	Block	11
739	7mm closed heart block	Block	2
740	10mm closed heart block	Block	2
741			
742			
743			
744			
745	0.7mm brass wire	Wire	3m
746	1.0mm brass wire	Wire	2m
747	1.5mm brass wire	Wire	2m
748			
749			
750	0.10mm natural thread	Thread	215m
751	0.25mm natural thread	Thread	225m
752	0.25mm black thread	Thread	225m
753	0.50mm natural thread	Thread	105m
754	0.50mm black thread	Thread	200m
755	0.75mm natural thread	Thread	45m
756	0.75mm black thread	Thread	35m
757	1.00mm natural thread	Thread	10m
758	1.00mm black thread	Thread	30m
759	1.30mm black thread	Thread	20m
760	1.80mm black thread	Thread	4m
761	2.50mm natural thread	Thread	0.50m

## Strip Wood

Part No.	Part Description	Material	Qty
765	1x4mm Tanganyika	Strip wood	100
766	1.5x6mm Lime	Strip wood	70
767	2x2mm Beech	Strip wood	1
768	1x5mm Walnut	Strip wood	130
769	0.5x3mm Walnut	Strip wood	30
770	1.5x1.5mm Walnut	Strip wood	25
771	1x4mm Walnut	Strip wood	18
772	1x3.5mm Walnut	Strip wood	12
773	1x6mm Walnut	Strip wood	6
774	0.5x4mm Walnut	Strip wood	4
775	1x3mm Walnut	Strip wood	3
776	1x16mm Walnut	Strip wood	3
777	3x4mm Walnut	Strip wood	2
778	2x3mm Walnut	Strip wood	2
779	4x4mm Walnut	Strip wood	1
780	3x3mm Walnut	Strip wood	1
781	2x4mm Walnut	Strip wood	1
782	1x10mm Walnut	Strip wood	1
783	0.5x5mm Walnut	Strip wood	1

## Builders Notes

V1

JoTiKa Ltd., Model Marine Warehouse, Hadzor, Droitwich, WR9 7DS, UK.  
Tel: +44 (0) 1905 776 073 Fax: +44 (0) 1905 776 712  
Email: Nelsonsnavy@jotika-ltd.com  
Web Address: <http://www.jotika-ltd.com>