

TMAX

PAPER CRAFT

Assembly Instructions



Thank you for downloading the "TMAX" paper craft model. By simply following this manual while referring to the names and numbers shown on the parts sheets, you can assemble an authentic-looking replica of the TMAX.

- Assembly instructions: Sixteen A4-sized sheets.
 - Paper craft: Twenty-one A4-sized sheets with 156 parts in all
-

These instructions apply only to the "TMAX." These Paper Craft parts are easier to work with when printed out on strong, thick paper (like postcard stock).

■ In creating these Paper Craft models we use 135kg Kent paper stock (0.18mm).

TO BEGIN

■ Tools and materials needed

-Ruler -Scissors - Blade cutter or "Exacto-knife" - Awl or other pointed tool (for making a folding crease) - Felt pen - Pin set - Glue - Hand towel (for cleaning your fingers) - Dictionary or other heavy book (to press the papers flat)

■ Items of Caution

*Take care when using sharp or pointed objects or when using bladed cutting tools. Place a heavy sheet of paper under the paper you want to cut.

*Use glue and other adhesives only in well-ventilated areas.

*When printing, use a slightly reduced font size as there are many differences in dimensions depending on the type of printer used.

HOW TO ASSEMBLE

*Follow the working method and markings carefully.

*Cut carefully along the outer line with a cutting blade, Exacto-knife or scissors.

One - point Advice

*Cut carefully with a cutting blade, Exacto-knife or scissors.

*For folding parts, first use an awl or other pointed tool to make a light crease along the dotted or solid line. This will make the folds straight. Avoid making strong creases, as this will cause the paper to tear.

*As an adhesive, white wood glue is recommended. Avoid over-application as this will cause the paper to wrinkle.

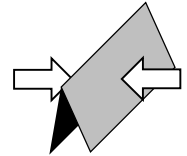
*Before beginning assembly, test adhesive amounts on extra paper.

*Occasionally, white spots will be apparent on folds and cuts. Use a marker or pencil to fill-in these spots. It is recommended that this be done after each stage of assembly because coloring becomes more difficult once parts are assembled.

Basic working method and markings

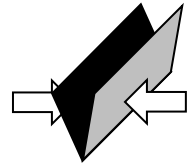
Solid lines

Fold along these lines. The printed surface should be on the outside of the folded shape.



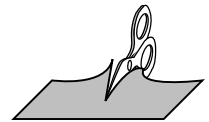
Broken lines

Fold along these lines. The printed surface should be on the inside of the folded shape.

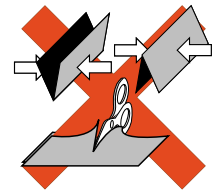


Dotted line

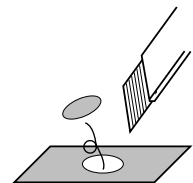
Cut along these lines



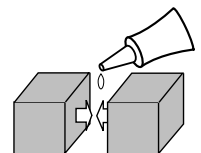
Do not fold or cut the parts marked .



Cut out parts marked with an asterisk (*).



Red dots are the reference positions for gluing surfaces.



1 Assembling the Front Cowl

First, assemble each component by following the working method and markings. Then, refer to the illustration and photos below to glue the parts together.

Indication of Working Methods



Fold or Curve



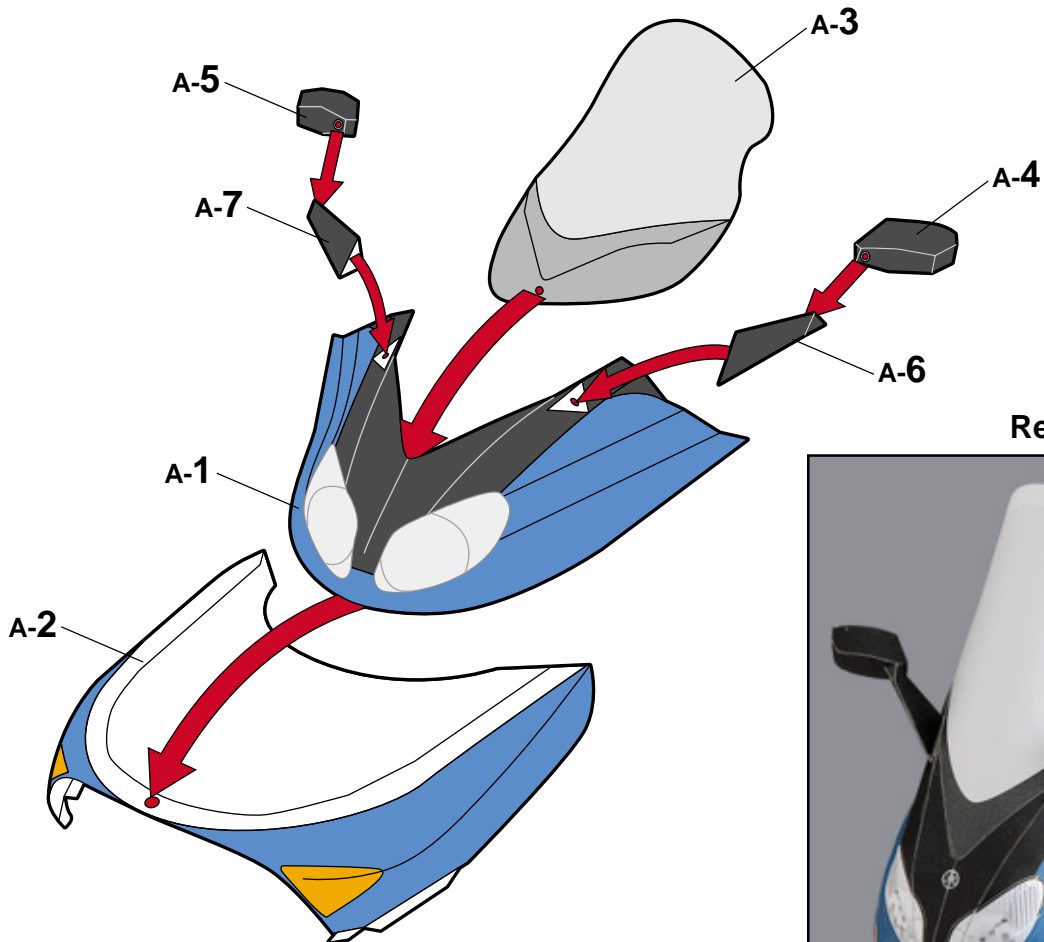
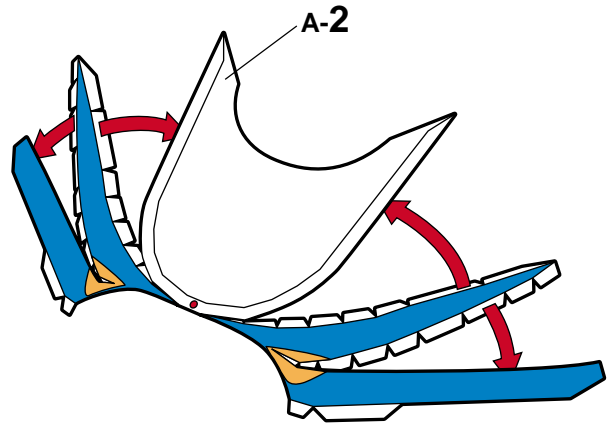
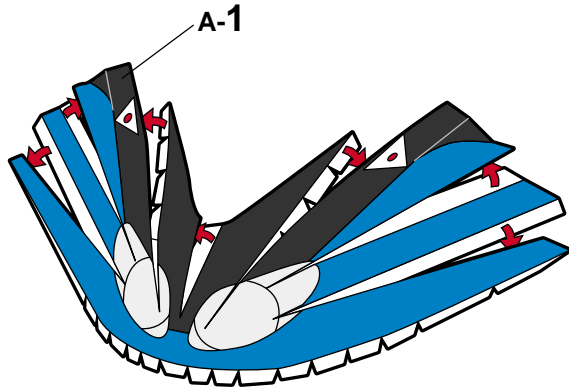
Glue

Front Cowl

Sheet A, 7 parts in total

Fold each relevant part according to the assembly symbols.

Please use the ● dots on each component as reference when gluing surfaces.



Reference photo



2 Assembling the Steering

First, assemble each component by following the working method and markings. Then, refer to the illustration and photos below to glue the parts together.

Indication of Working Methods

 Fold or Curve  Glue

Steering

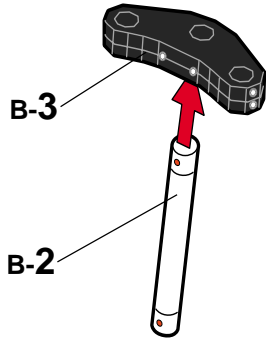
Sheet B, 14 parts in total

Fold each relevant part according to the assembly symbols.

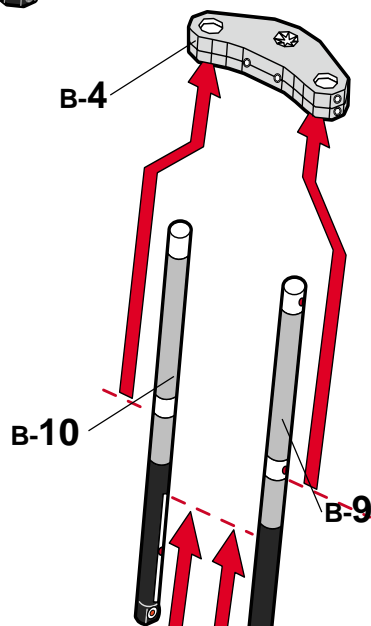
Please use the ● dots on each component as reference when gluing surfaces.

DO NOT glue the upper and the lower parts of the steering column at this stage.

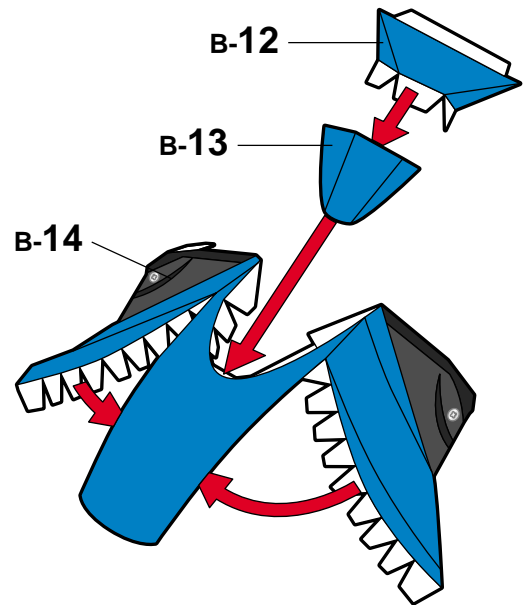
[Upper Steering Column]



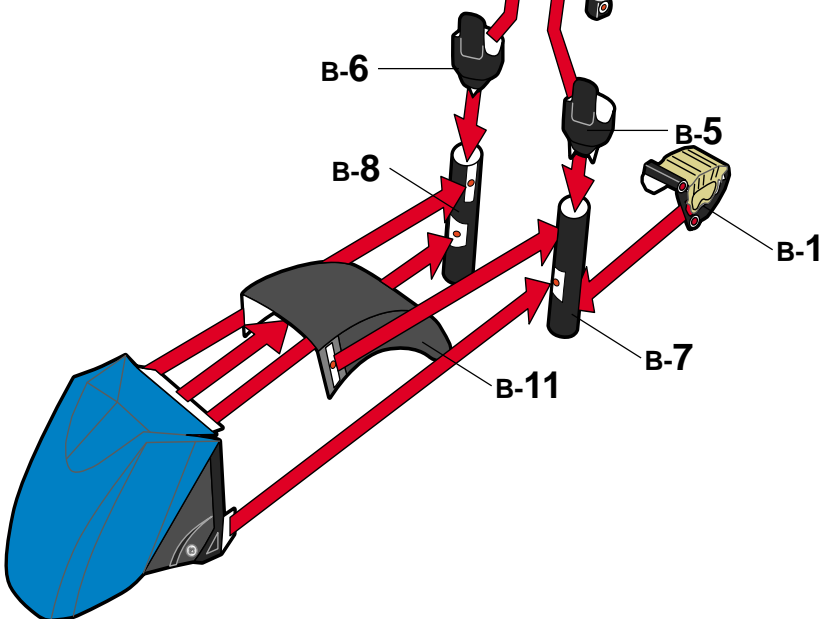
[Lower Steering Column]



[Front Fender]



Reference photo



[Front Fender]

3 Assembling the Frame & Rear Fender

First, assemble each component by following the working method and markings. Then, refer to the illustration and photos below to glue the parts together.

Indication of Working Methods

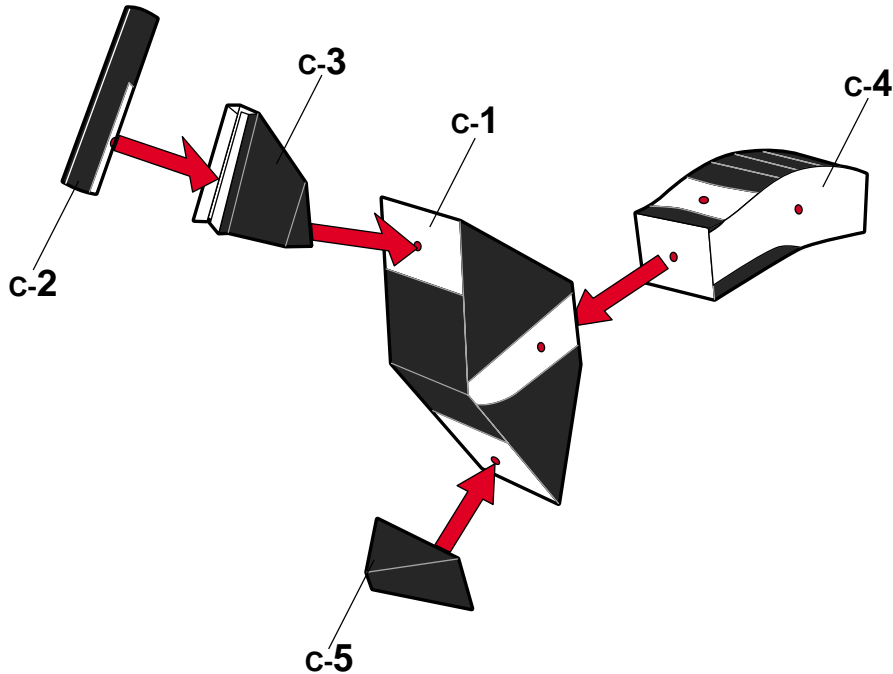
 Fold or Curve  Glue

Frame

Sheet C, 5 parts in total

Fold each relevant part according to the assembly symbols.

Please use the ● dots on each component as reference when gluing surfaces.



Reference photo

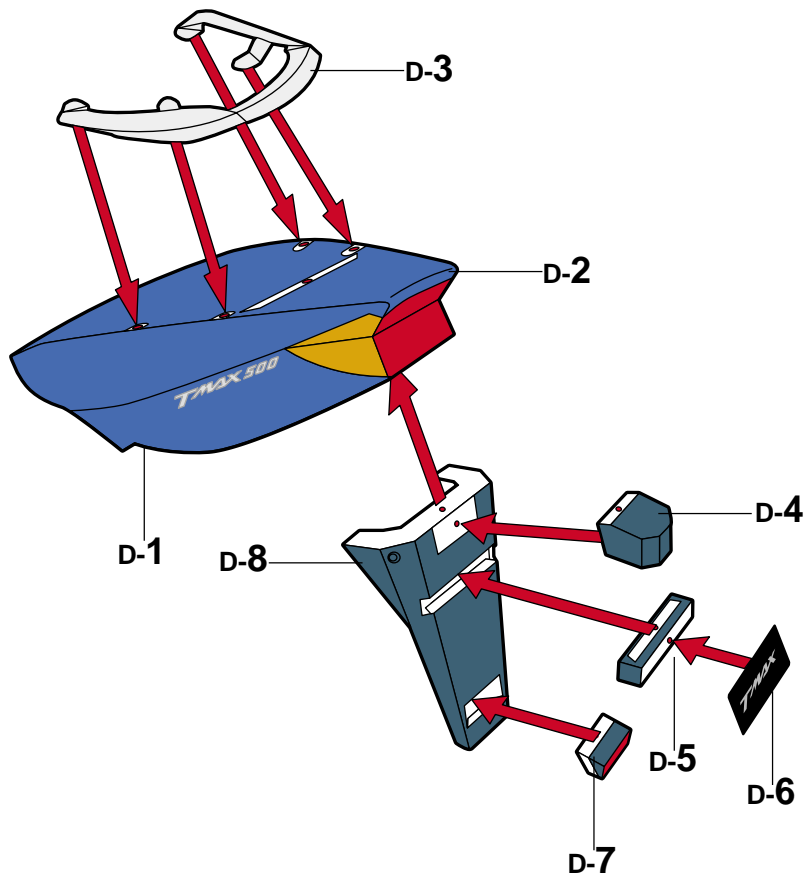


Rear Fender

Sheet D, 8 parts in total

Fold each relevant part according to the assembly symbols.

Please use the ● dots on each component as reference when gluing surfaces.



Reference photo



4 Assembling the Rear Arm

First, assemble each component by following the working method and markings. Then, refer to the illustration and photos below to glue the parts together.

Indication of Working Methods

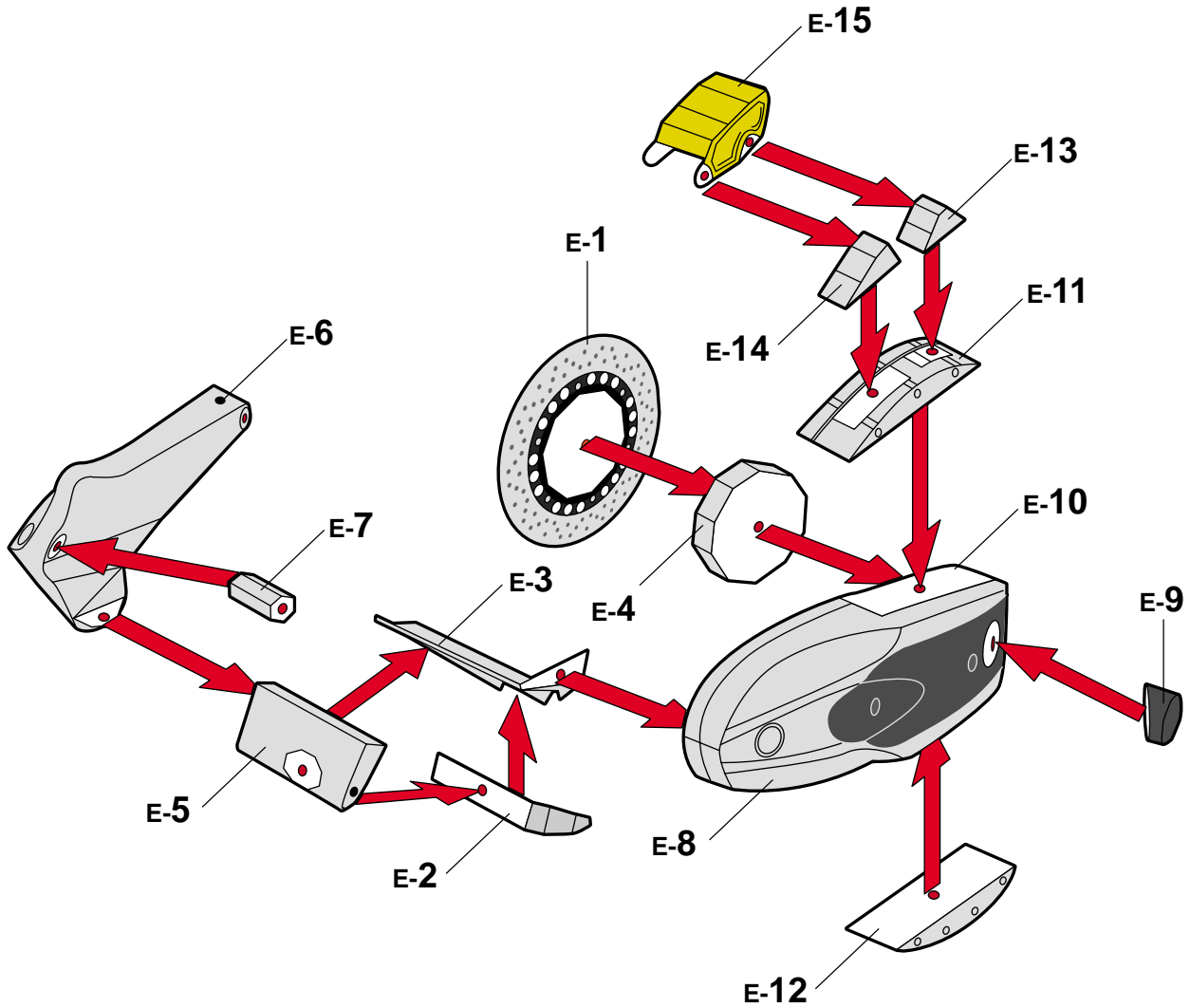
 Fold or Curve  Glue

Rear Arm

Sheet E, 15 parts in total

Fold each relevant part according to the assembly symbols.

Please use the ● dots on each component as reference when gluing surfaces.



Reference photo



5 Assembling the Seat & Exhaust Pipes

First, assemble each component by following the working method and markings. Then, refer to the illustration and photos below to glue the parts together.

Indication of Working Methods

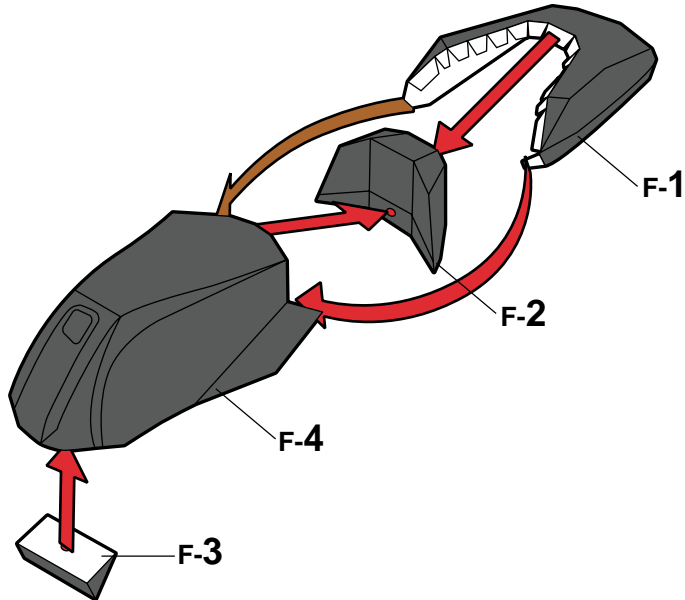
 Fold or Curve  Glue

Seat

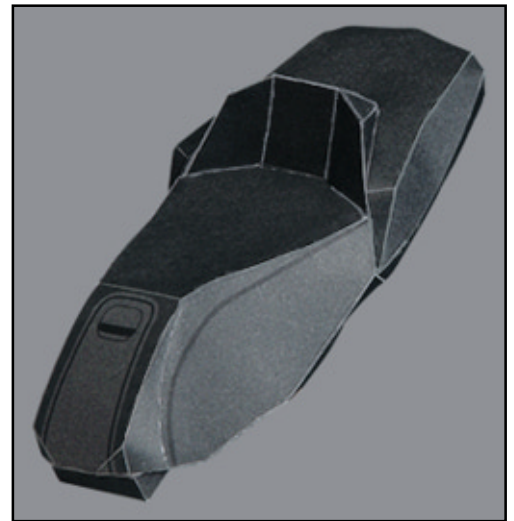
Sheet F, 4 parts in total

Fold each relevant part according to the assembly symbols.

Please use the ● dots on each component as reference when gluing surfaces.



Reference photo

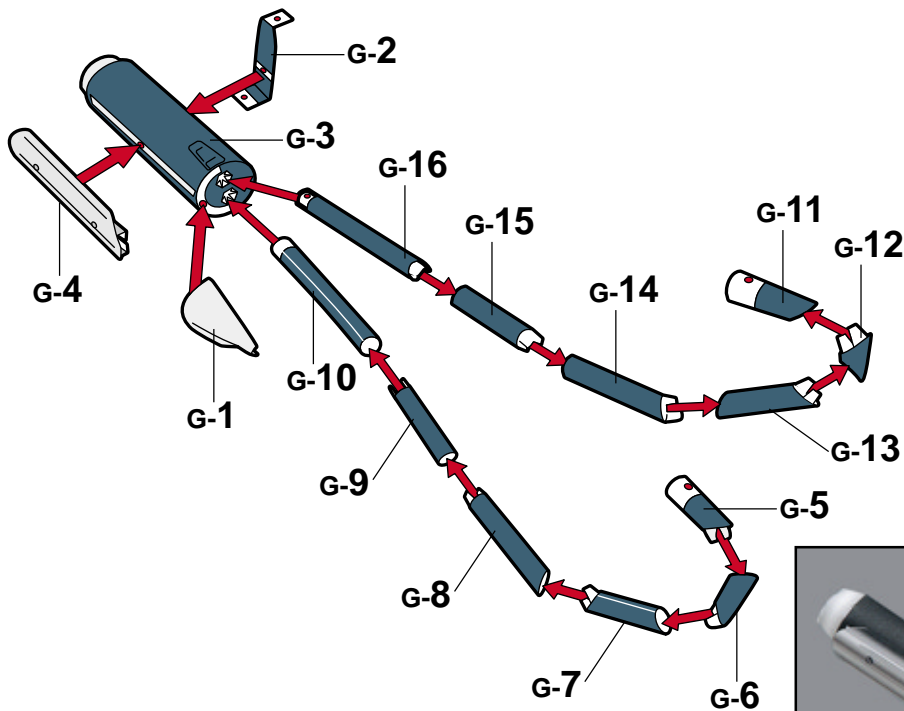


Exhaust Pipes

Sheet G, 16 parts in total

Fold each relevant part according to the assembly symbols.

Please use the ● dots on each component as reference when gluing surfaces.



Reference photo



6 Assembling the Steering Handle & Stand

First, assemble each component by following the working method and markings. Then, refer to the illustration and photos below to glue the parts together.

Indication of Working Methods

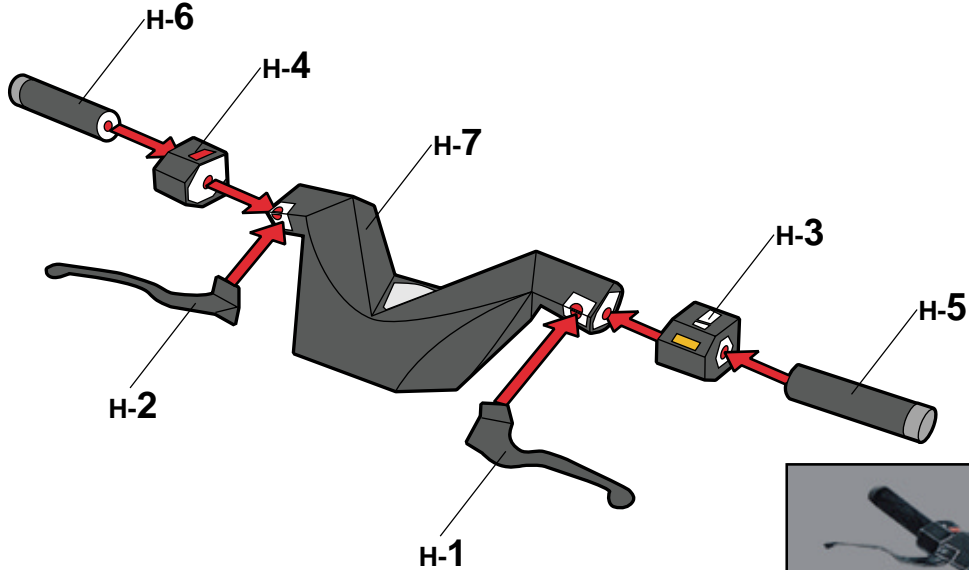
 Fold or Curve  Glue

Steering Handle

Sheet H, 7 parts in total

Fold each relevant part according to the assembly symbols.

Please use the ● dots on each component as reference when gluing surfaces.



Reference photo

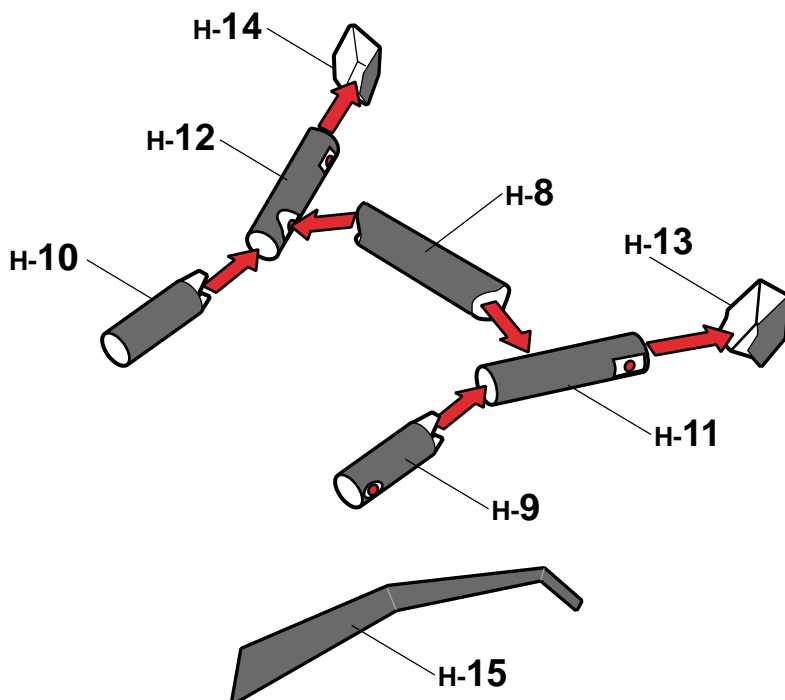


Stand

Sheet H, 8 parts in total

Fold each relevant part according to the assembly symbols.

Please use the ● dots on each component as reference when gluing surfaces.



Reference photo



7 Assembling the Side Covers -A

First, assemble each component by following the working method and markings. Then, refer to the illustration and photos below to glue the parts together.

Indication of Working Methods

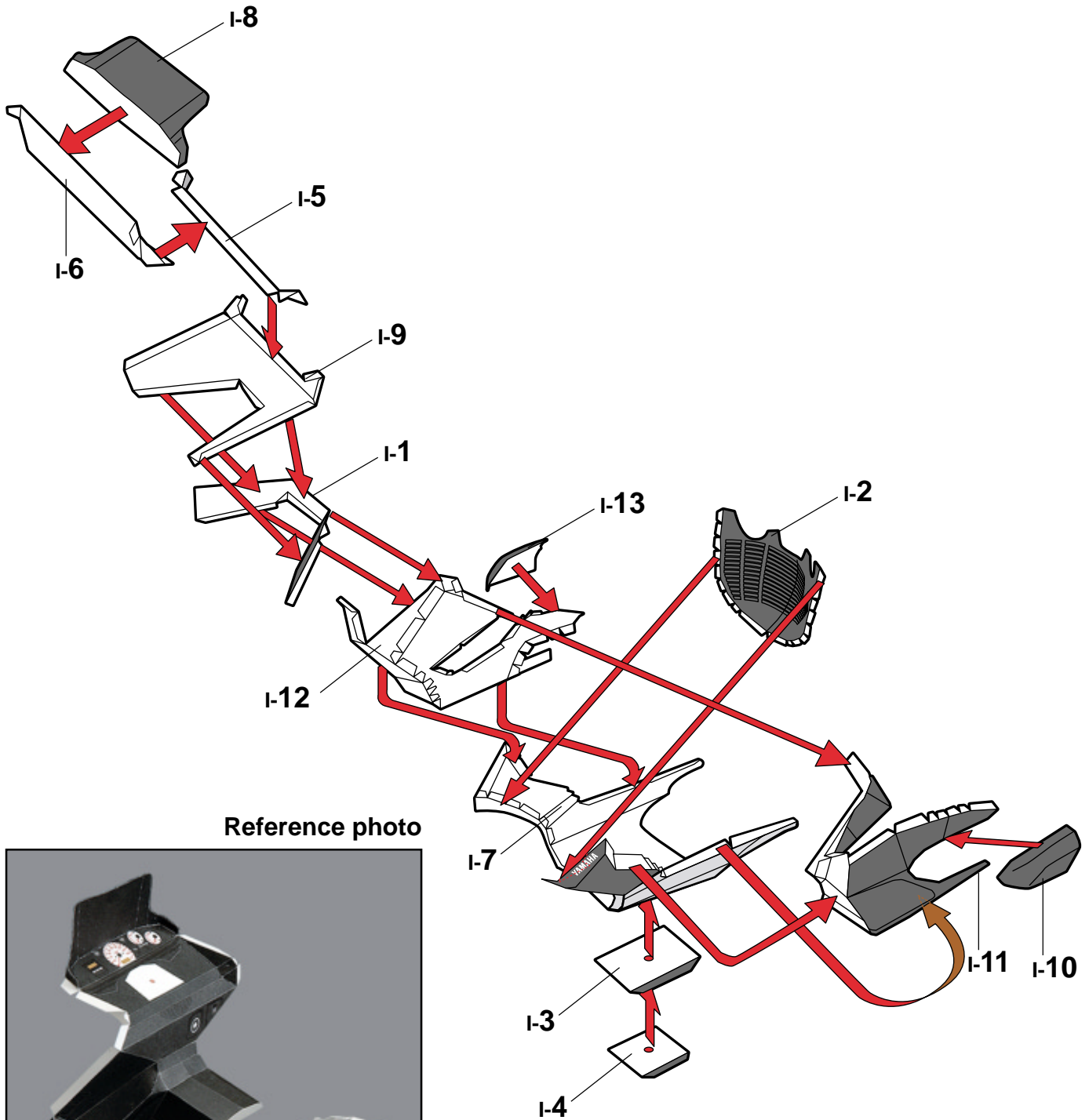
 Fold or Curve  Glue

Side Covers

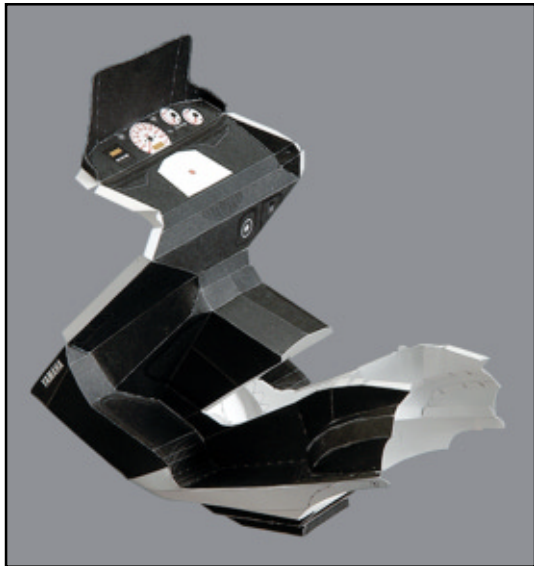
Sheet 1, 25 parts in total

Fold each relevant part according to the assembly symbols.

Please use the ● dots on each component as reference when gluing surfaces.



Reference photo



8 Assembling the Side Covers -B

First, assemble each component by following the working method and markings. Then, refer to the illustration and photos below to glue the parts together.

Indication of Working Methods

 Fold or Curve  Glue

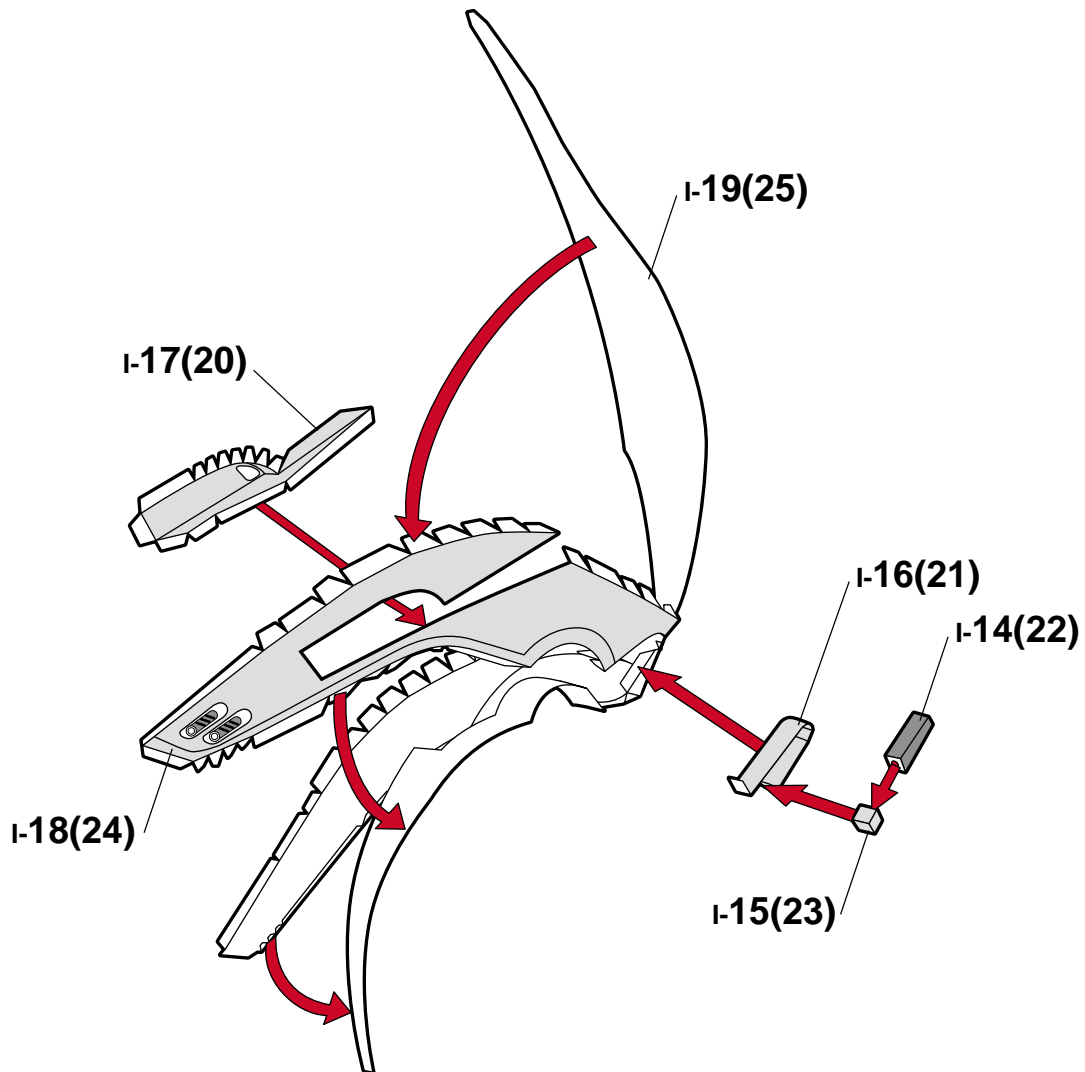
Side Covers

Sheet 1, 25 parts in total

Fold each relevant part according to the assembly symbols.

Please use the ● dots on each component as reference when gluing surfaces.

Assemble both side covers. The diagram shows how the left side cover looks. The numbers within the parentheses indicate the parts for the right side cover.



Reference photo



9 Assembling the Crank Case

First, assemble each component by following the working method and markings. Then, refer to the illustration and photos below to glue the parts together.

Indication of Working Methods

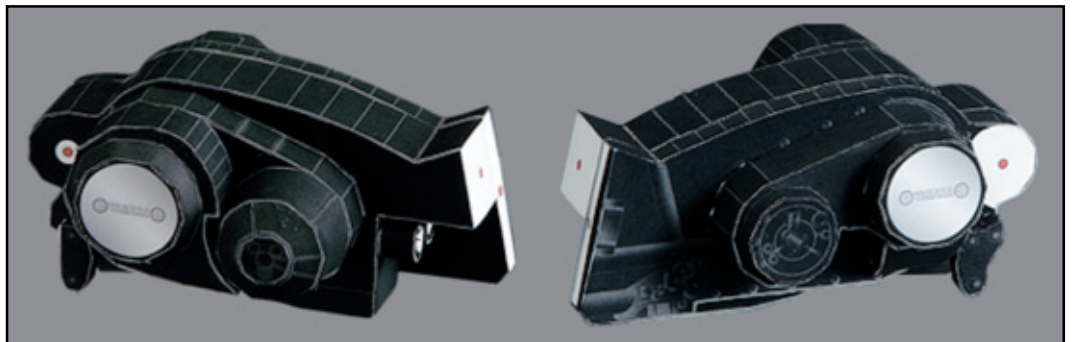
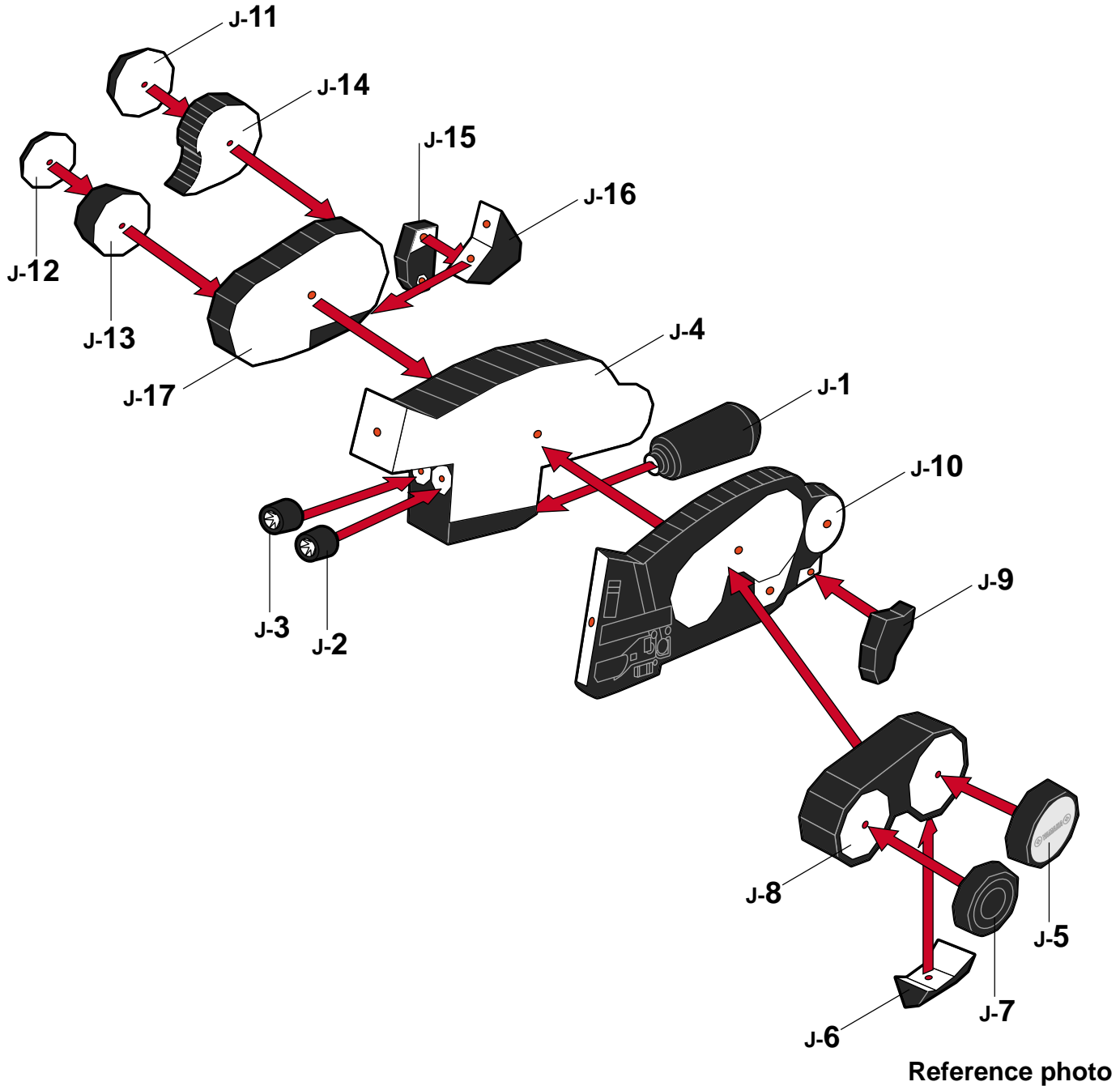
 Fold or Curve  Glue

Crank Case

Sheet J, 17 parts in total

Fold each relevant part according to the assembly symbols.

Please use the ● dots on each component as reference when gluing surfaces.



10 Assembling the Front Tire

First, assemble each component by following the working method and markings. Then, refer to the illustration and photos below to glue the parts together.

Indication of Working Methods

 Fold or Curve  Glue

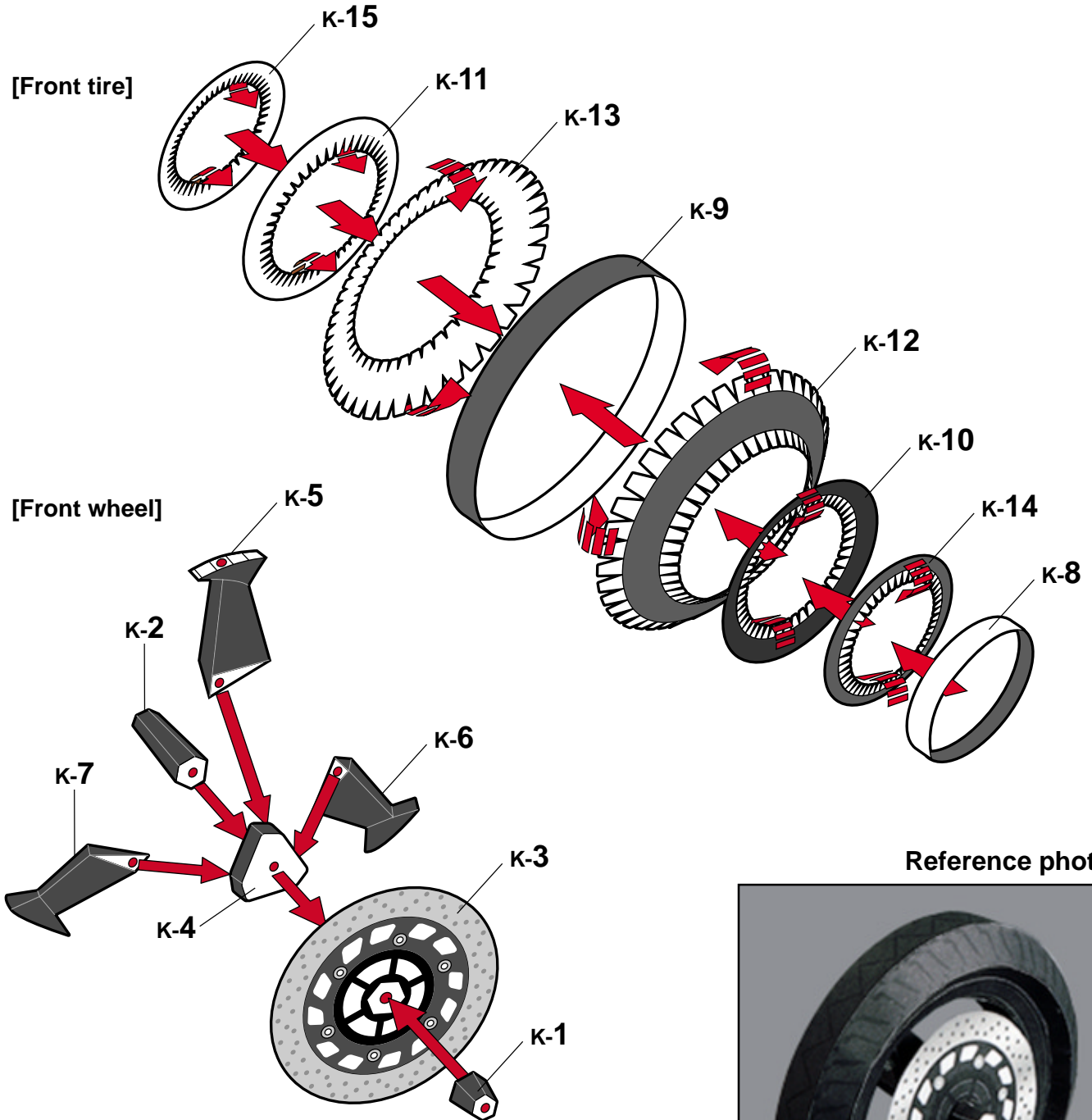
Front Tire

Sheet K, 15 parts in total

Fold each relevant part according to the assembly symbols.

Please use the ● dots on each component as reference when gluing surfaces.

*Glue the completed front wheel to the assembled front tire.



11 Assembling the Rear Tire

First, assemble each component by following the working method and markings. Then, refer to the illustration and photos below to glue the parts together.

Indication of Working Methods

 Fold or Curve  Glue

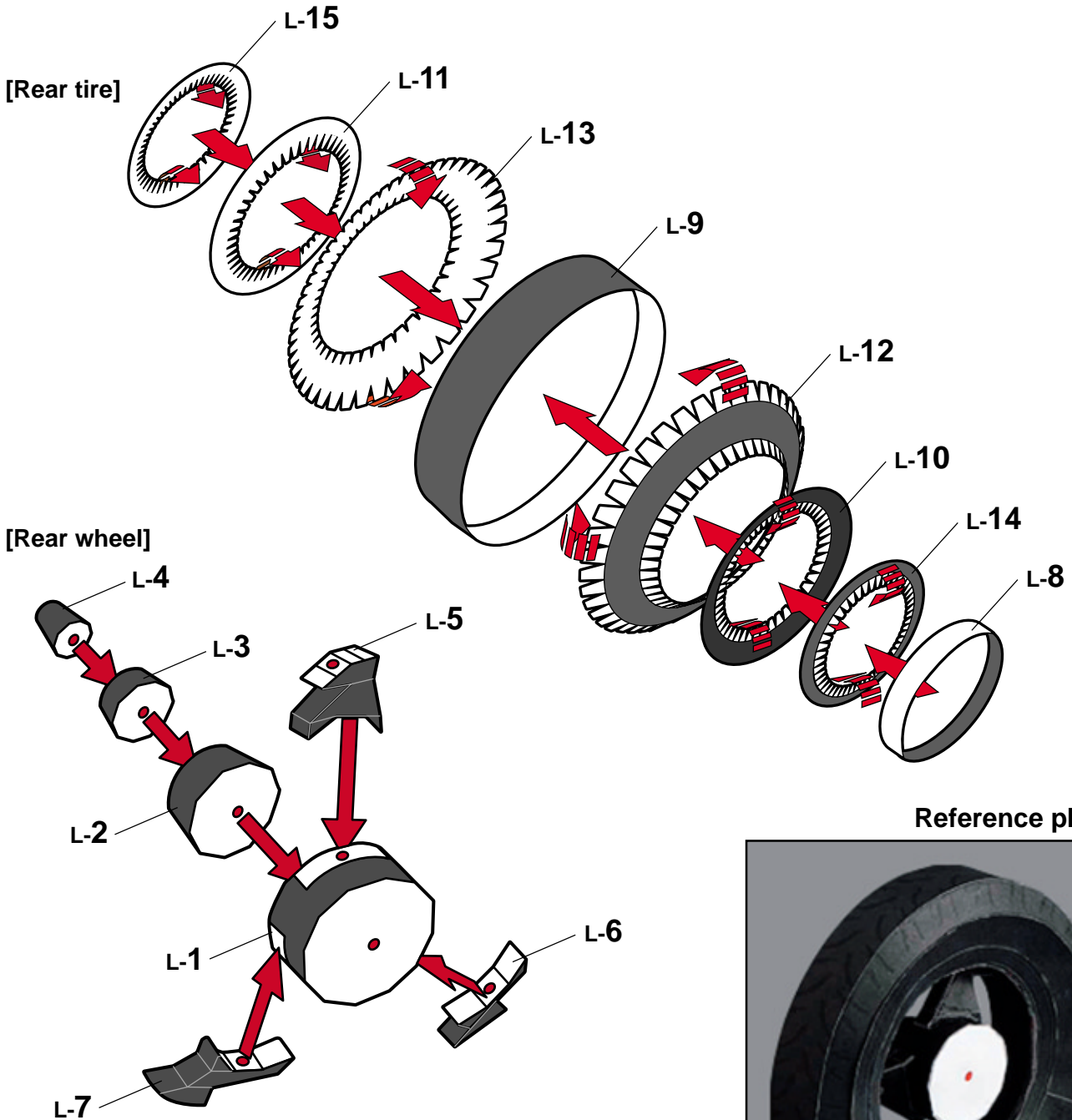
Rear Tire

Sheet L, 15 parts in total

Fold each relevant part according to the assembly symbols.

Please use the ● dots on each component as reference when gluing surfaces.

*Glue the completed rear wheel to the assembled rear tire.



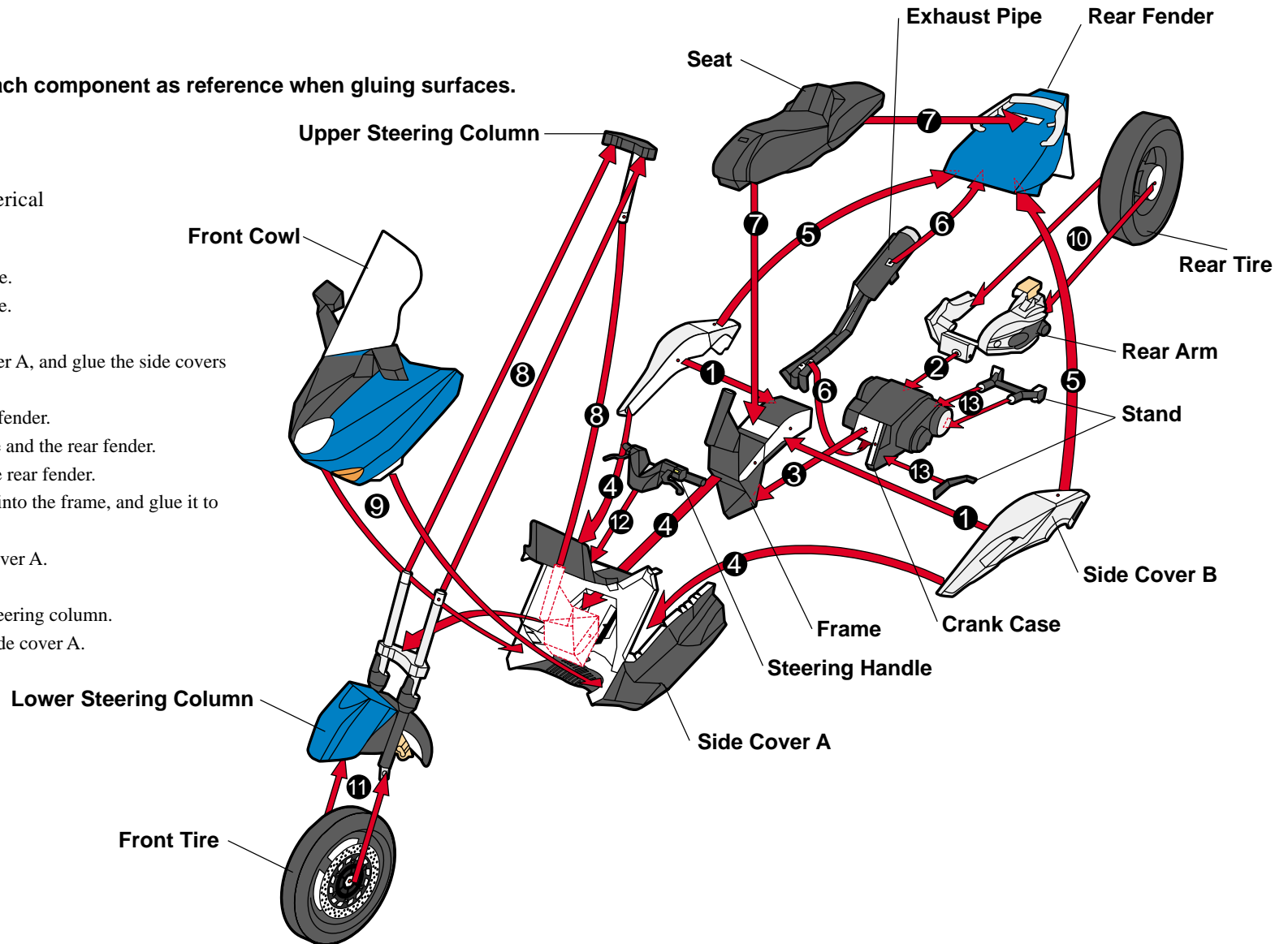
12 Finish

Please use the ● dots on each component as reference when gluing surfaces.

Assembly Instructions

glue the assembled parts in numerical order ① through ⑬.

- ① Glue the side cover B to the frame.
- ② Glue the rear arm to the crankcase.
- ③ Glue the crankcase to the frame.
- ④ Insert the frame into the side cover A, and glue the side covers A and B.
- ⑤ Glue the side cover B to the rear fender.
- ⑥ Glue the exhaust to the crankcase and the rear fender.
- ⑦ Glue the seat to the frame and the rear fender.
- ⑧ Insert the upper steering column into the frame, and glue it to the lower steering column.
- ⑨ Glue the front cowl to the side cover A.
- ⑩ Glue the rear tire to the rear arm.
- ⑪ Glue the front tire to the lower steering column.
- ⑫ Glue the steering handle to the side cover A.
- ⑬ Glue the stand to the crankcase.



13 Assembled Model and the List of Parts

Please refer to the photo below when attaching each component.

RIGHT

Side Cover

| | | | | |
|-----|------|------|------|------|
| I-1 | I-7 | I-13 | I-19 | I-25 |
| I-2 | I-8 | I-14 | I-20 | |
| I-3 | I-9 | I-15 | I-21 | |
| I-4 | I-10 | I-16 | I-22 | |
| I-5 | I-11 | I-17 | I-23 | |
| I-6 | I-12 | I-18 | I-24 | |

Seat

| |
|-----|
| F-1 |
| F-2 |
| F-3 |
| F-4 |

Front Cowl

| | |
|-----|-----|
| A-1 | A-6 |
| A-2 | A-7 |
| A-3 | |
| A-4 | |
| A-5 | |

Rear Tire

| | | |
|-----|------|------|
| L-1 | L-6 | L-11 |
| L-2 | L-7 | L-12 |
| L-3 | L-8 | L-13 |
| L-4 | L-9 | L-14 |
| L-5 | L-10 | L-15 |

Exhaust Pipe

| | | | |
|-----|------|------|------|
| G-1 | G-6 | G-11 | G-16 |
| G-2 | G-7 | G-12 | |
| G-3 | G-8 | G-13 | |
| G-4 | G-9 | G-14 | |
| G-5 | G-10 | G-15 | |

Front Tire

| | | |
|-----|------|------|
| K-1 | K-6 | K-11 |
| K-2 | K-7 | K-12 |
| K-3 | K-8 | K-13 |
| K-4 | K-9 | K-14 |
| K-5 | K-10 | K-15 |

Steering

| | | |
|-----|------|------|
| B-1 | B-6 | B-11 |
| B-2 | B-7 | B-12 |
| B-3 | B-8 | B-13 |
| B-4 | B-9 | B-14 |
| B-5 | B-10 | |

FRONT

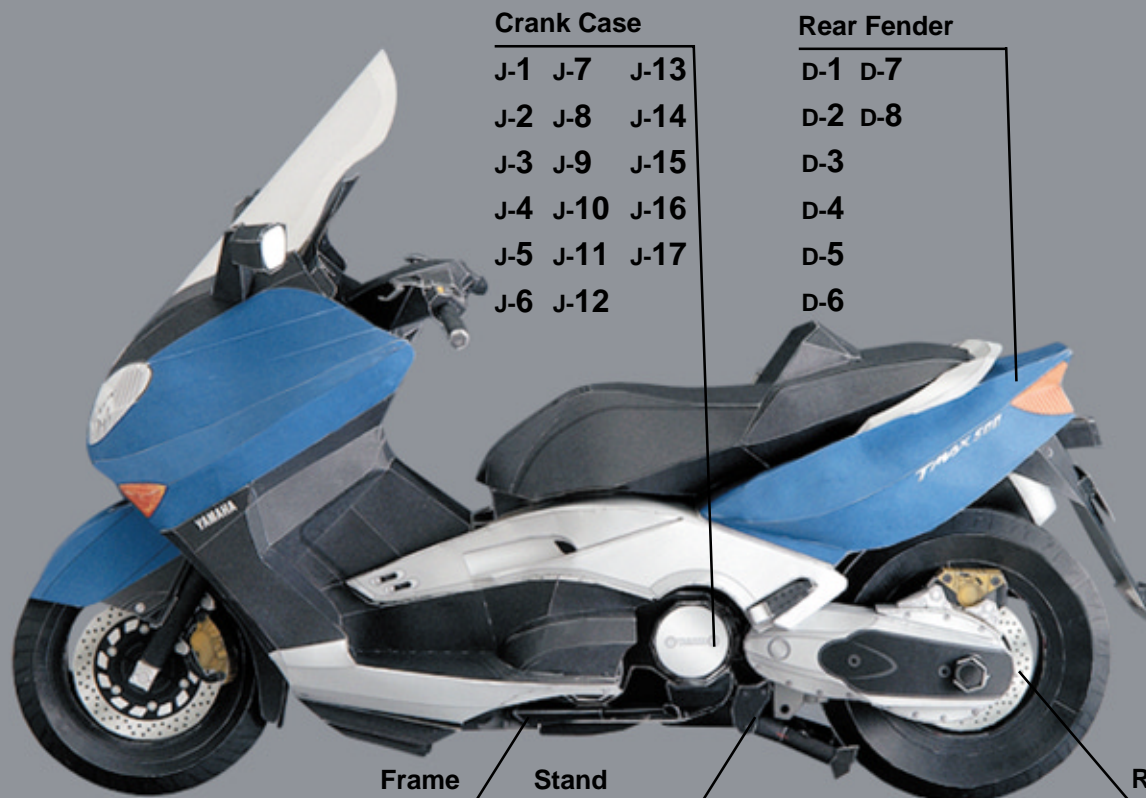


14 Assembled Model and the List of Parts

Please refer to the photo below when attaching each component.

LEFT

REAR



Crank Case

- J-1 J-7 J-13
- J-2 J-8 J-14
- J-3 J-9 J-15
- J-4 J-10 J-16
- J-5 J-11 J-17
- J-6 J-12

Rear Fender

- D-1 D-7
- D-2 D-8
- D-3
- D-4
- D-5
- D-6

Frame

- C-1
- C-2
- C-3
- C-4
- C-5

Stand

- H-8 H-13
- H-9 H-14
- H-10 H-15
- H-11
- H-12

Rear Arm

- E-1 E-6 E-11
- E-2 E-7 E-12
- E-3 E-8 E-13
- E-4 E-9 E-14
- E-5 E-10 E-15

Steering Handle

- H-1 H-6
- H-2 H-7
- H-3
- H-4
- H-5

