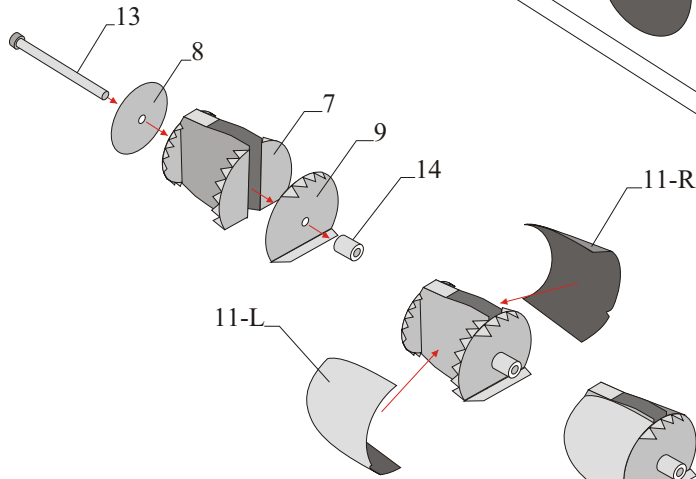
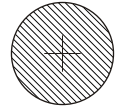


Build right wheel by rolling bands 25-R-1 and 25-R-2 for scale 1:72 and 25-R-1 to 25-R-4 for scale 1:48 (Start rolling with 25-R-1). You have to build the left wheel the same way.

Both wheels have to be with the following diameters:



Scale 1:72



Scale 1:48

