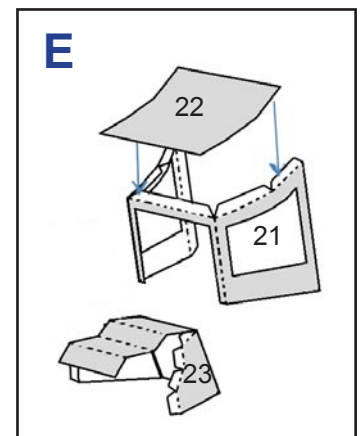
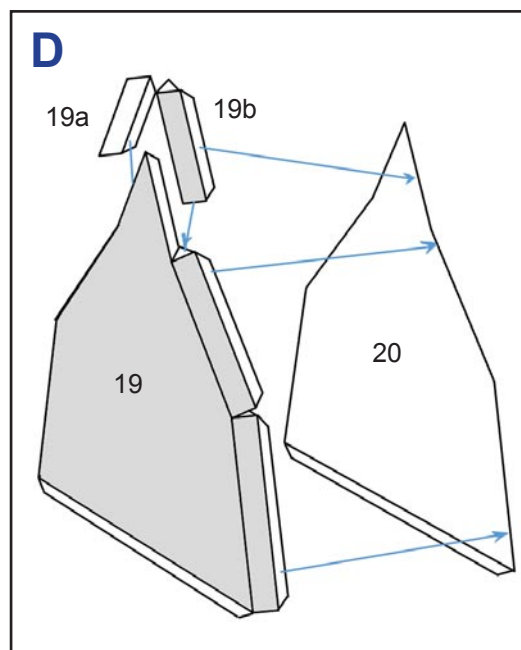
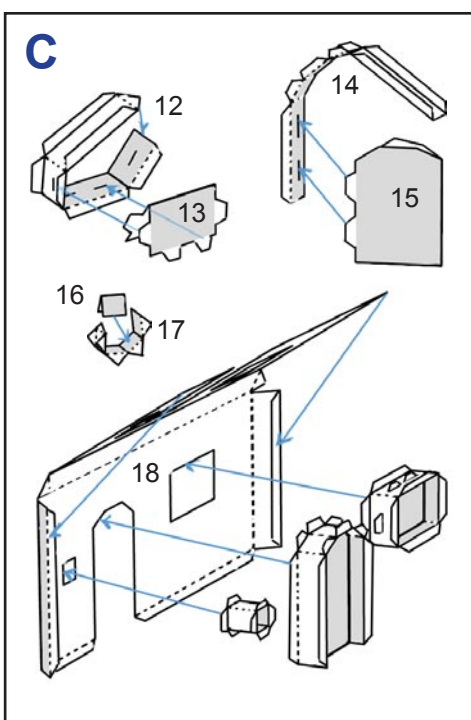
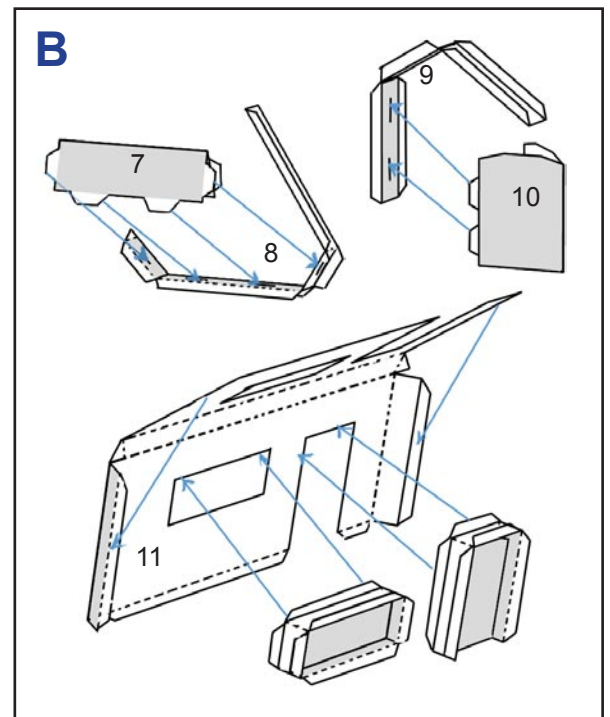
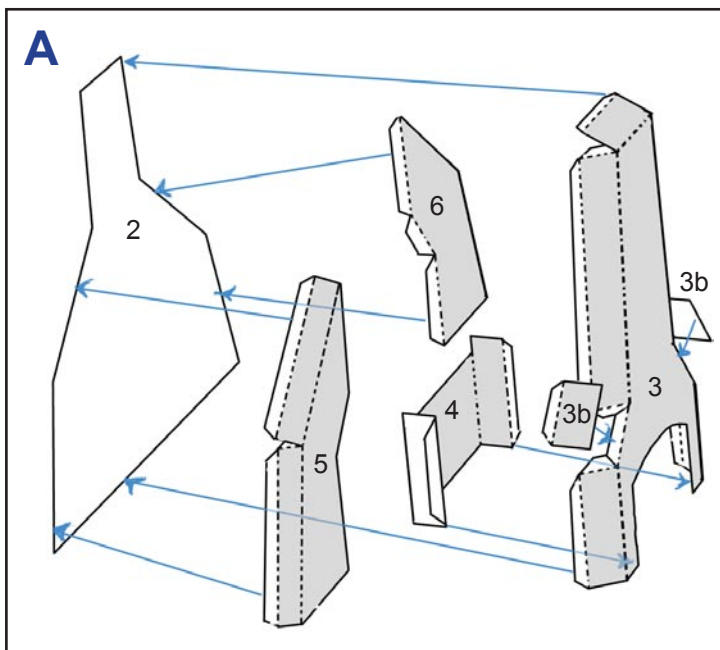


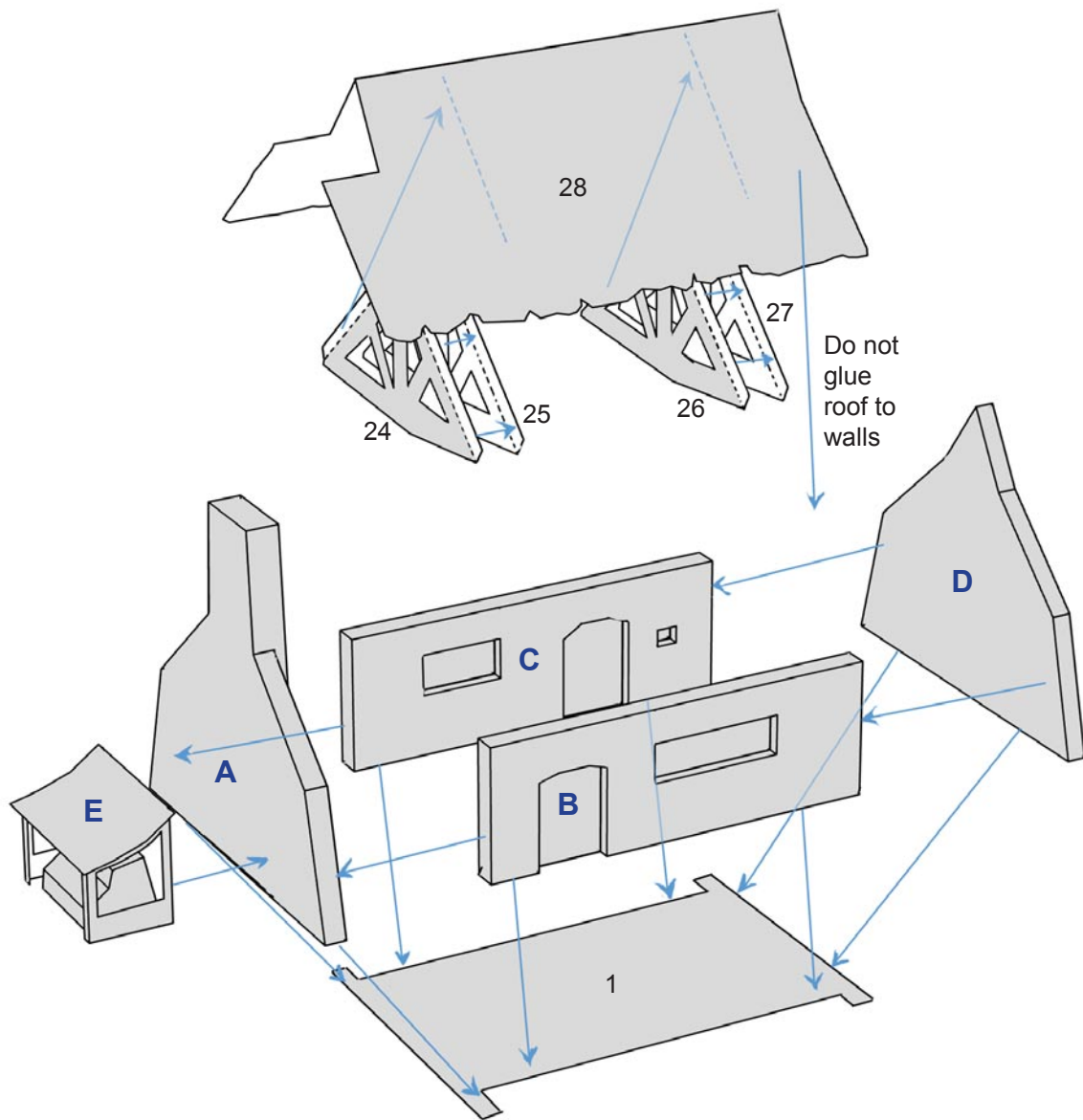


HOVEL

INSTRUCTIONS

WHAT YOU NEED: Scissors. Ruler. Craft knife. Glue (PVA or white glue is best). Blunt knife and ruler for scoring. Print on 160gsm cardstock. Check your printer manual for the best material. Score all dotted lines. Short dots are valley folds. Longer dashes are mountain folds. Longer dashes are mountain folds.





Great models at www.fantasycutouts.com

