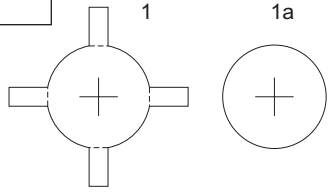


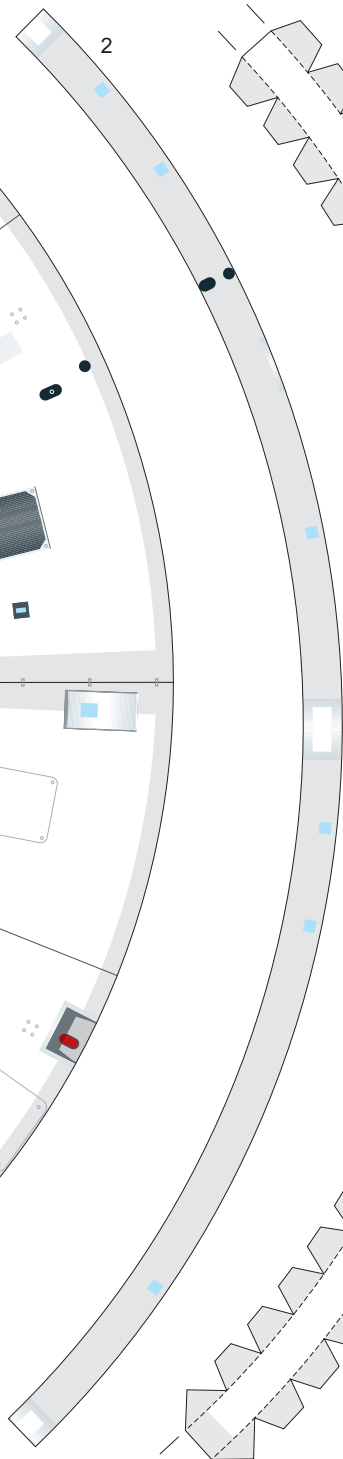
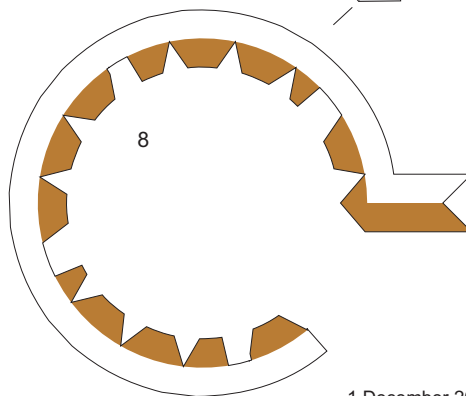
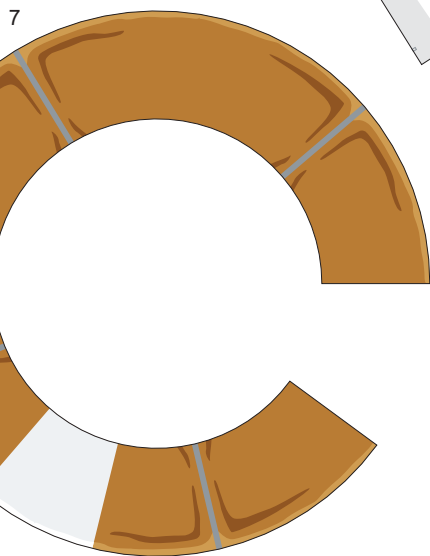
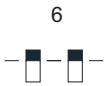
ins

ins

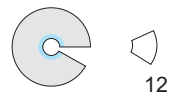
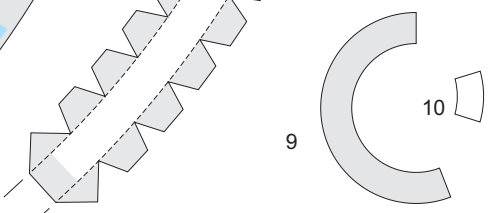
A



4
Open holes
(2 places)



3
Score along
broken lines



RVT-9
RVT-9

YAW

YAW

PITCH

PITCH

YAW

YAW

+Z

+Y

PH

PH

Z

Y

X

Y

Z

X

Y

Z

X

Y

Z

cm

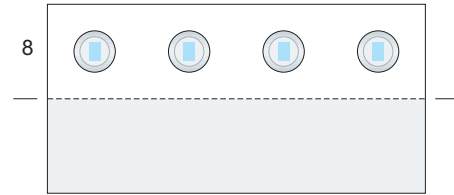
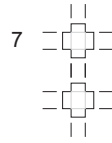
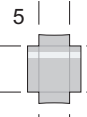
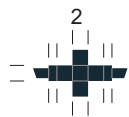
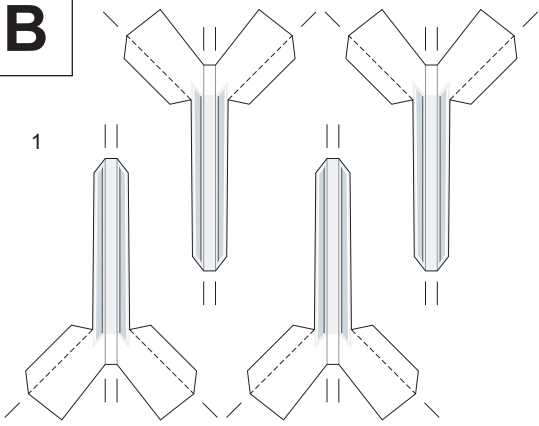
A

cm

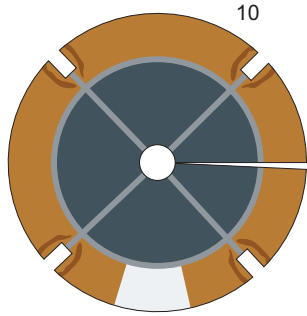
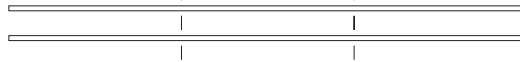
ins

ins

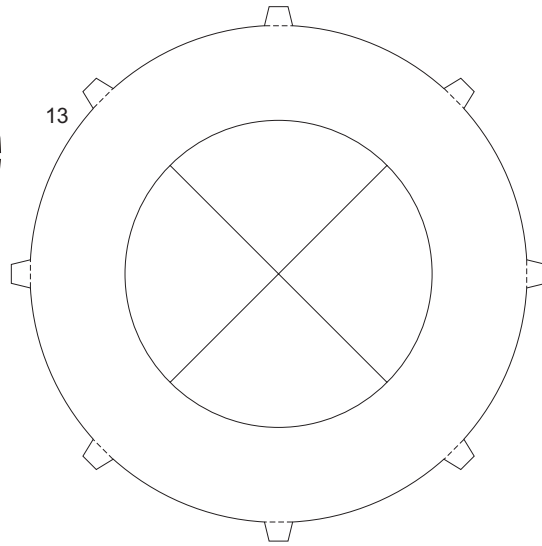
B



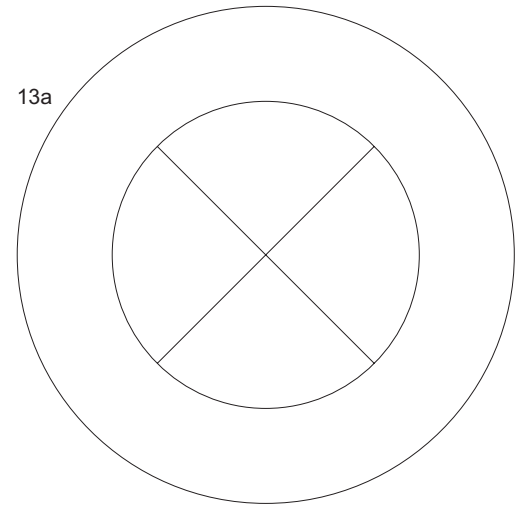
9



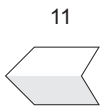
10



13



13a

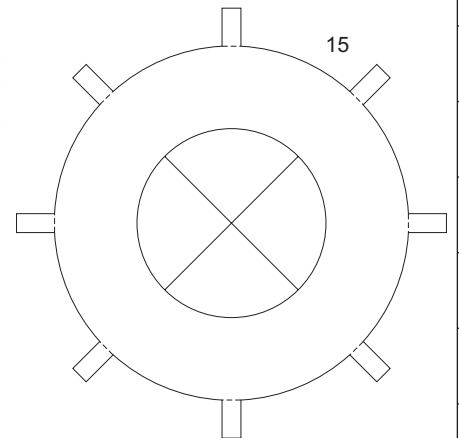
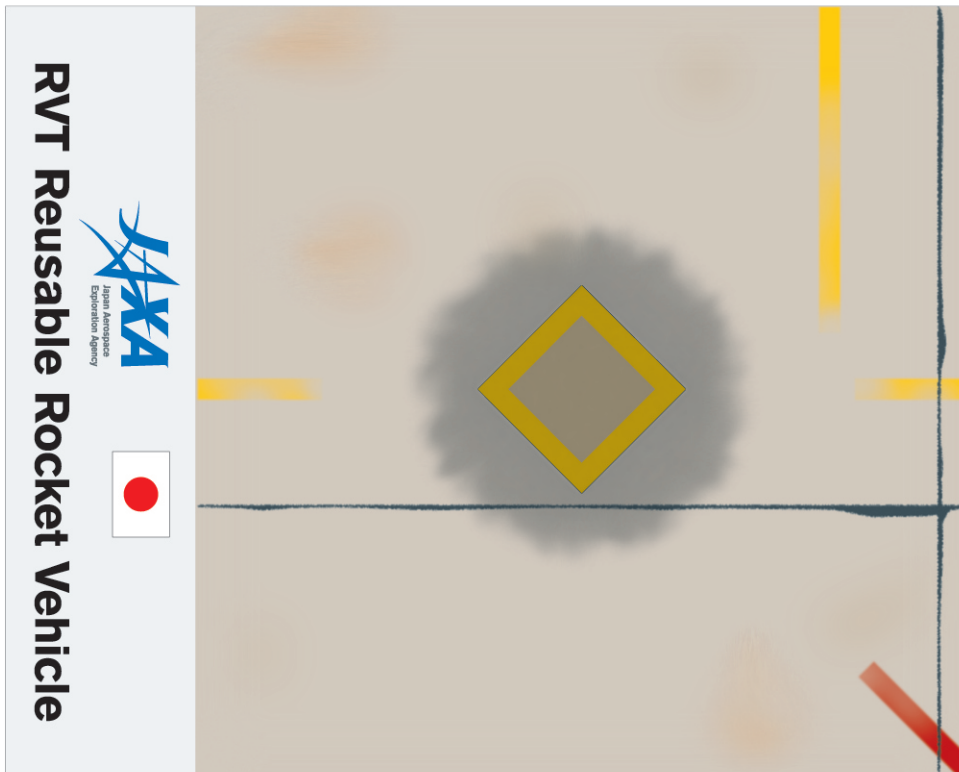


11

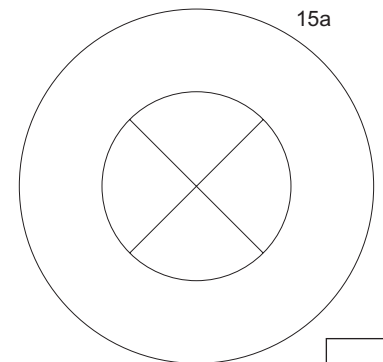


12

14



15



15a

B

cm

cm