

# Copyright And Fair Use

## Enjoy Your Models

All images are copyrighted. Permission is granted **ONLY for non-commercial personal use**. They may not be duplicated in any form, including electronic, mechanical or printed, for sale. All rights are reserved and duplication by any means, including, but not limited to, methods of printing, electronic storage and disk copies, is prohibited without permission. If you wish to use this artwork and instructions for other than your own personal use, like for a club contest or school program, PLEASE contact me for written permission first.

**You may NOT duplicate, sell, or give away, in any form, this file or printed copies of it.**

Only the copyright owner, Phil Koopman, Jr. and/or **FLY'N THINGS™**, can give permission for copies to be made.

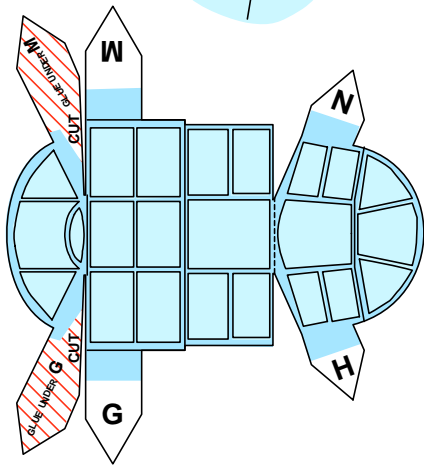
**No Warranty is provided whatsoever.**

This material is provided on an as-is basis with no support and no warranty.

**Phil Koopman, Jr.**  
**koopman@cmu.edu**  
**<http://www.ece.cmu.edu/koopman>**

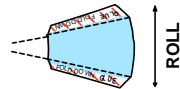
**Heir to the author:**  
**Philip Koopman, Sr.**



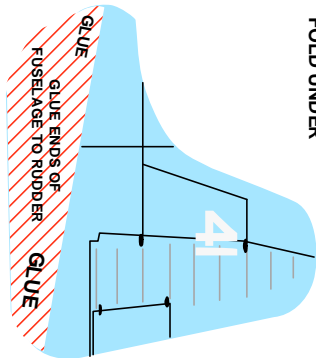


### COCKPIT COVER

CREASE AND FOLD DOWN

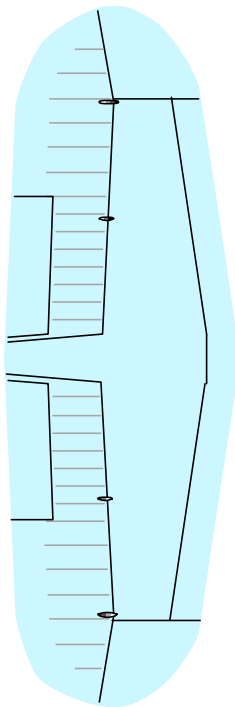
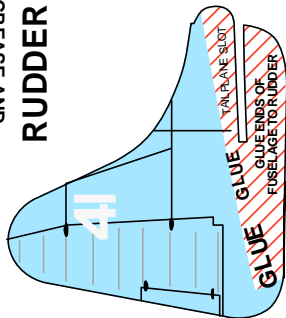


### CARBURATOR AIR SCOOP



CREASE AND FOLD UNDER

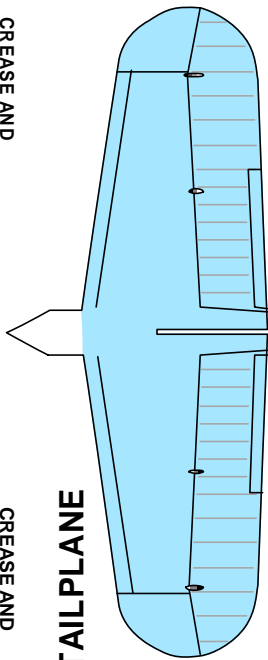
### RUDDER

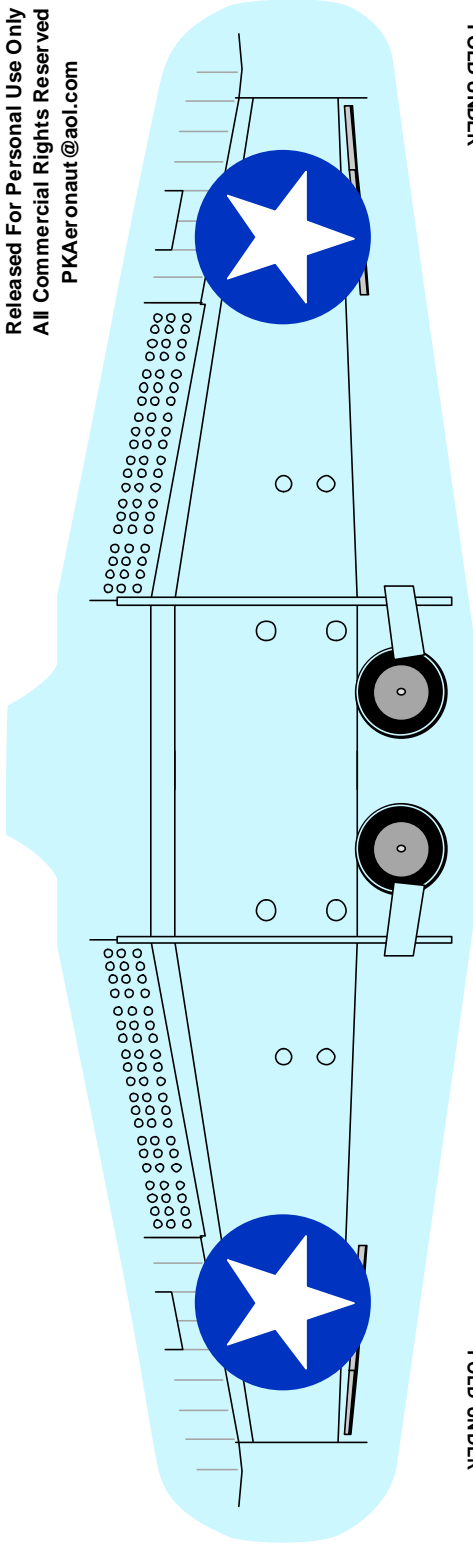


CREASE AND FOLD UNDER

### TAILPLANE

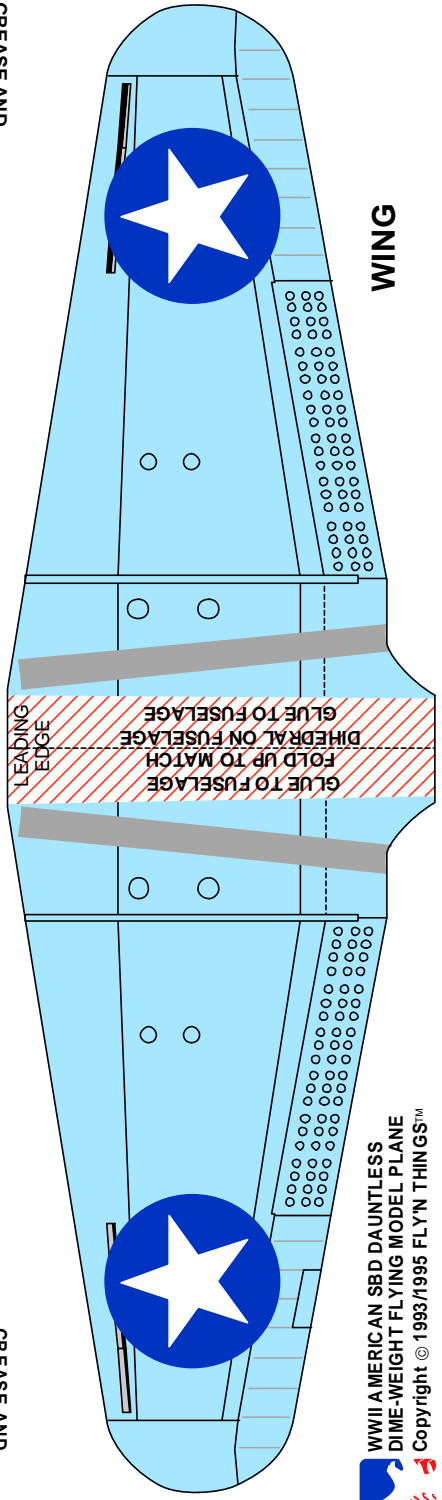
CREASE AND FOLD UNDER





GREASE AND  
FOLD UNDER

GREASE AND  
FOLD UNDER



WING