

AC4401

Sud Caravelle

This detail set is manufactured from photo etched brass sheet and is meant for use on the:-
Airfix Sud Caravelle 1/144 Kit.

Use a sharp modelling knife on a firm surface (such as a ceramic tile) to separate components from frame, cutting as near to the part as possible. Tag scars can be cleaned by holding part in pliers and using a fine file. To fold part best to use Airwaves Folding Tool AM022.

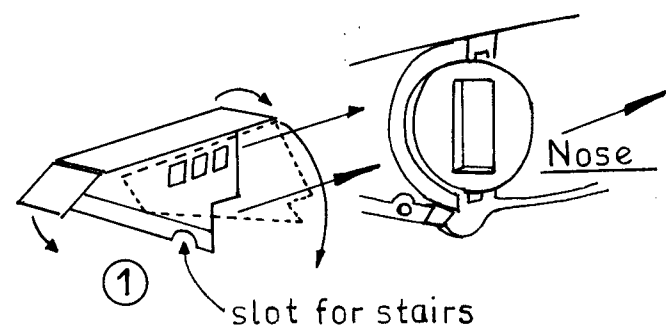
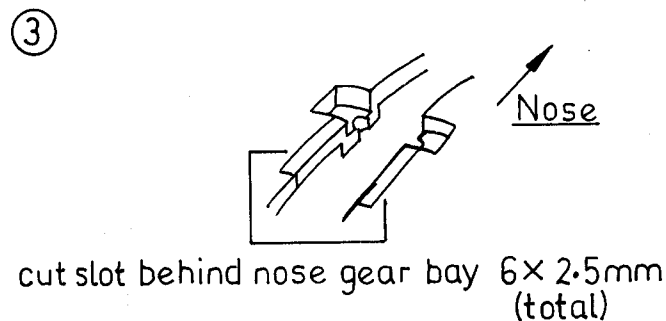
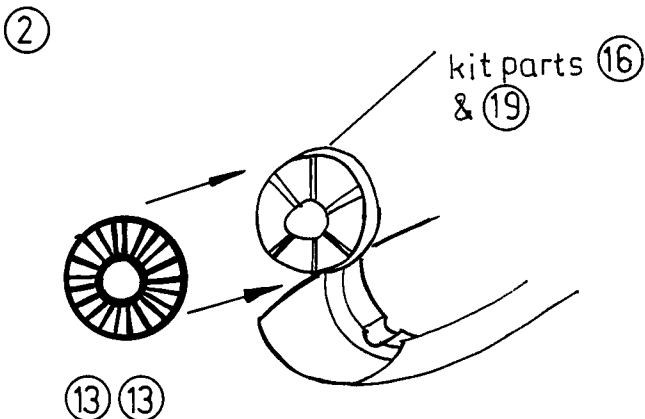
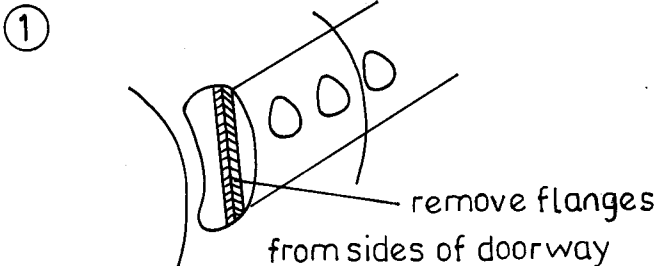
For assembly use superglue or five minute epoxy using the latter on clear parts. Prior to painting ensure that parts are fully defluxed by cleaning in liquid detergent and rinsing in clean water. Dry parts thoroughly and prime parts with matt enamel. Position of parts in diagrams for guidance only, for final positioning and colouring consult reference material.

Airwaves manufactured in the Midlands for

E.D.Models, 64, Stratford Road, Shirley, Solihull, B90-3LP.

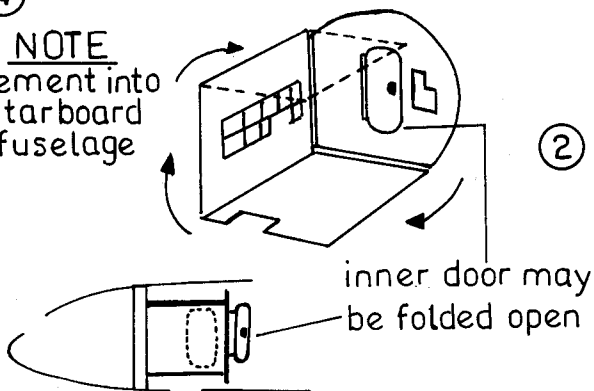
Telephone:-021-744-7488, FAX:-021-733-2591.

Airwaves are distributed in the U.S.A. by Military Model Distributors, 1115 Crowley Drive, Carrollton, Texas 75011-5010, U.S.A. Telephone:-1-800-527-0674.

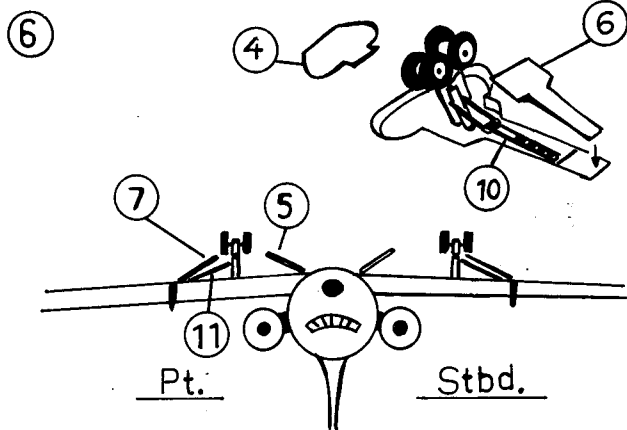
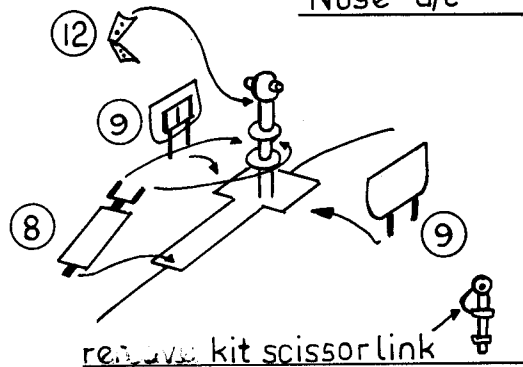


④ position of roof dotted

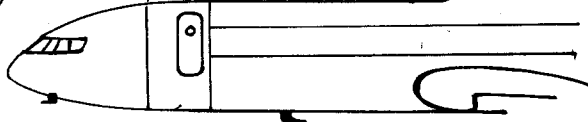
NOTE
cement into
starboard
fuselage



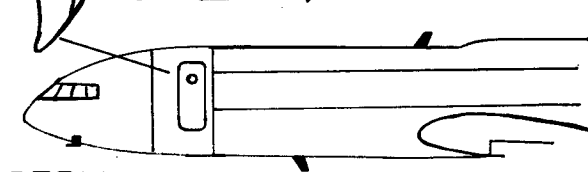
⑤ Nose u/c



⑦ ALITALIA



③ a selection of aerials is
provided: ▽x2 ▽x4 ▽x3
▽x3; check ref.
for fit; 2 examples shown



IBERIA