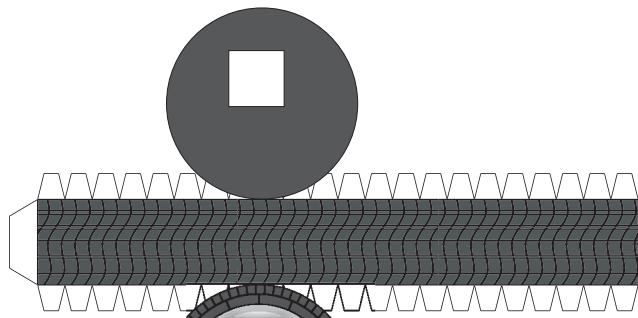
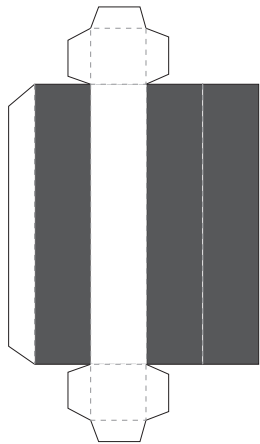


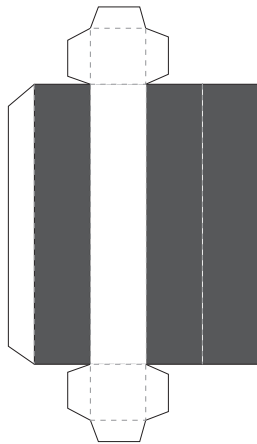
2-2L



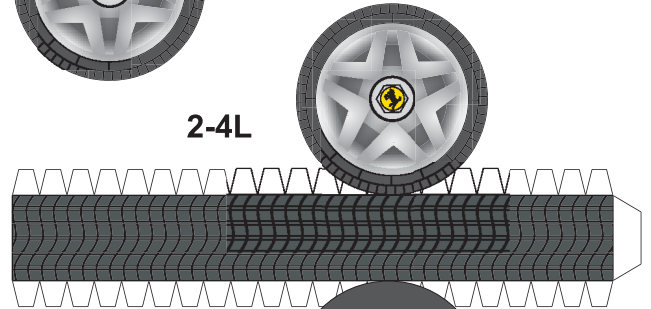
2-2R



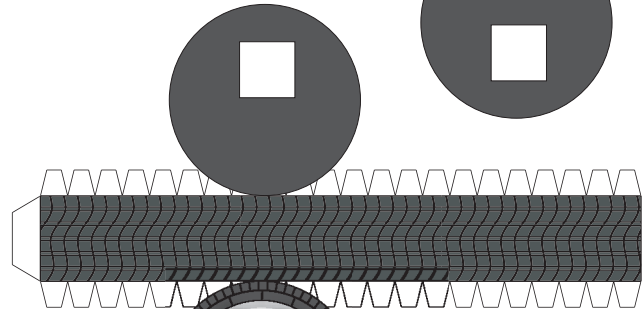
2-1



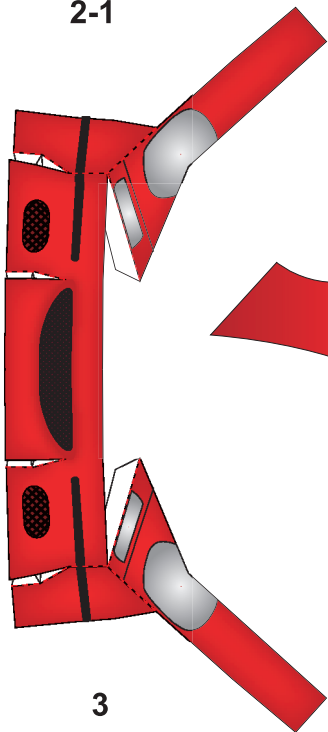
2-3



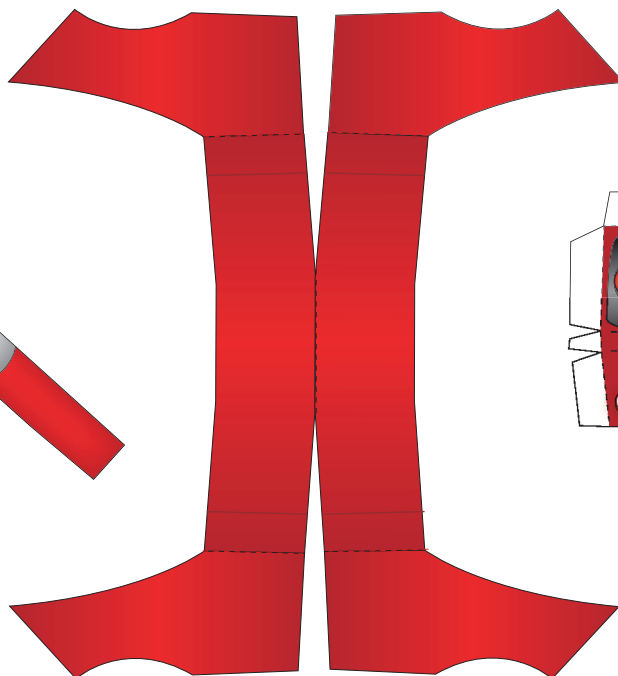
2-4L



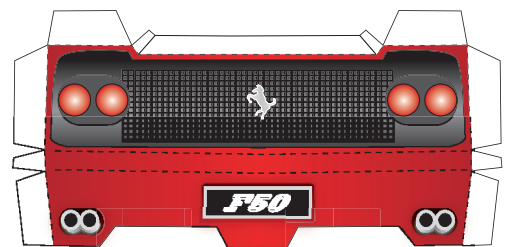
2-4R



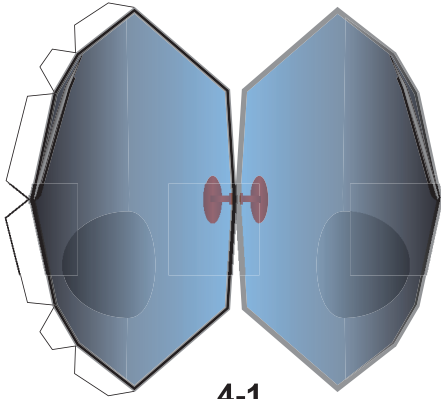
3



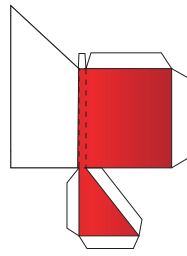
7



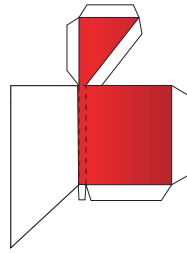
6-1



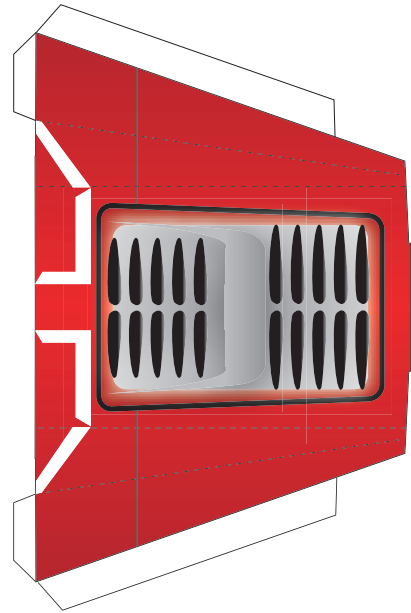
4-1



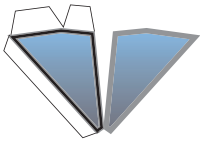
6-3R



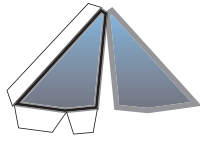
6-3L



6-2



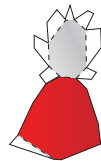
4-2R



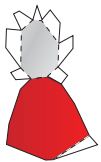
4-2L



8-1L



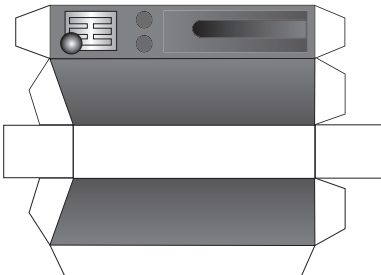
8-2L



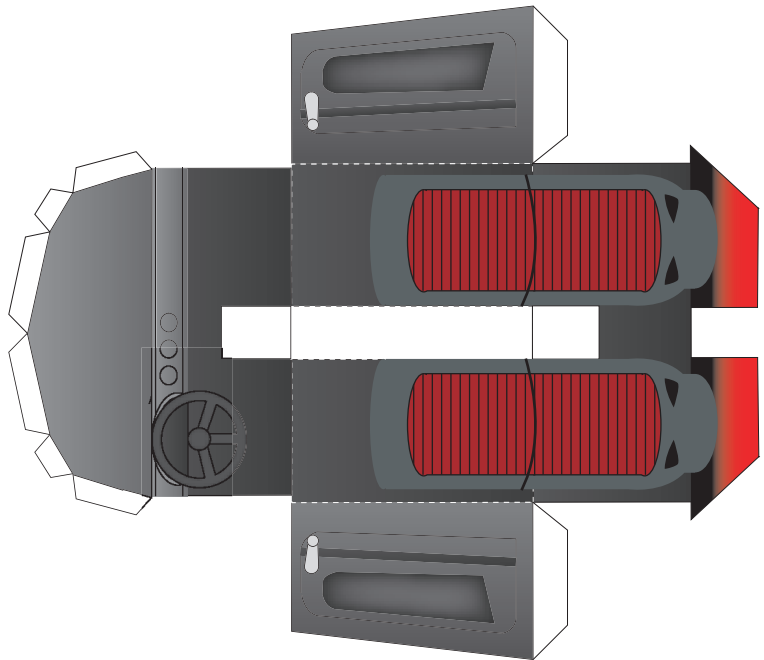
8-2R



8-1R



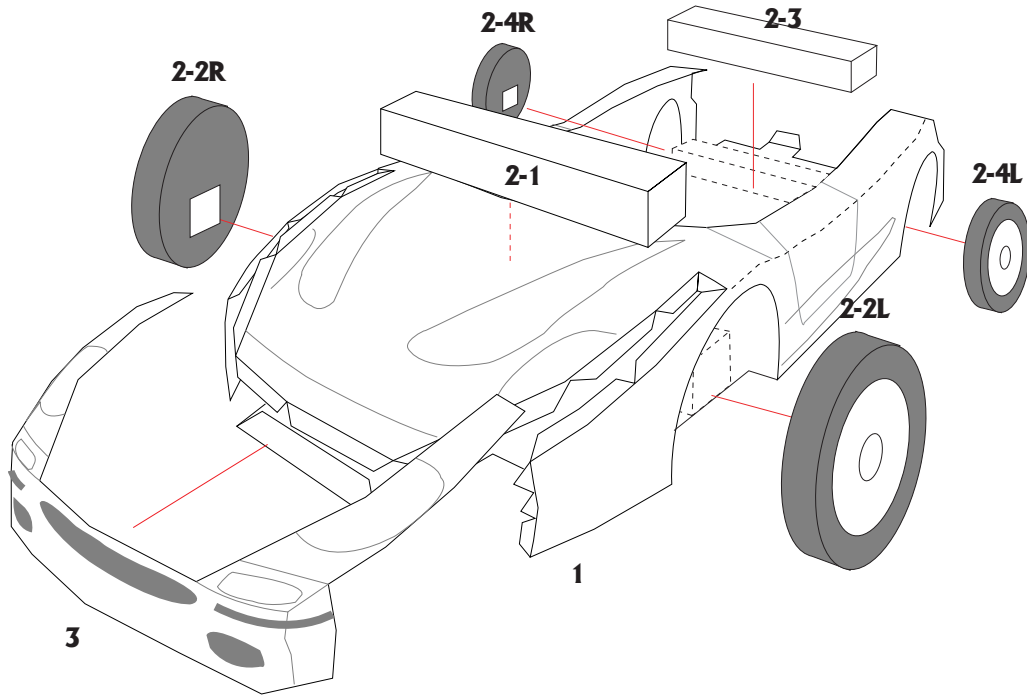
5-2



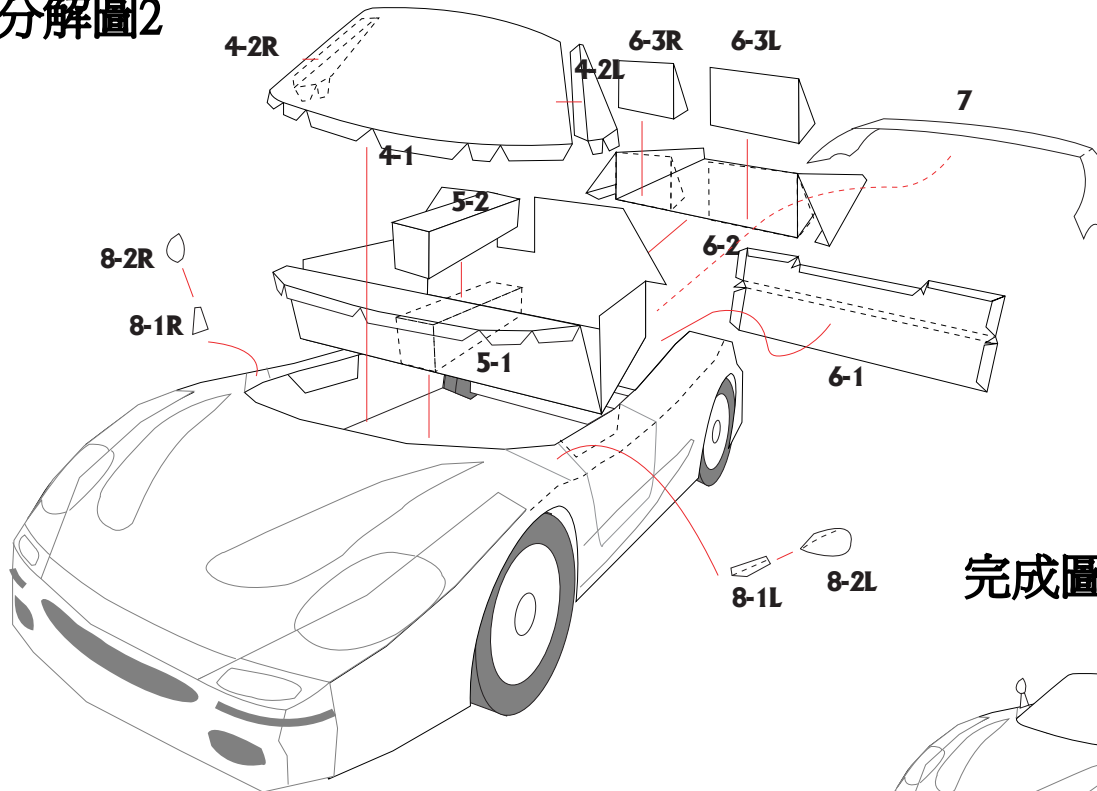
5-1

Ferrari F50

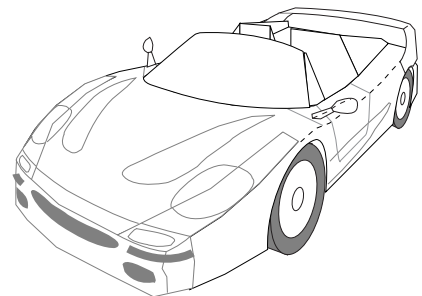
分解圖1



分解圖2



完成圖





Ferrari F50 (1995)