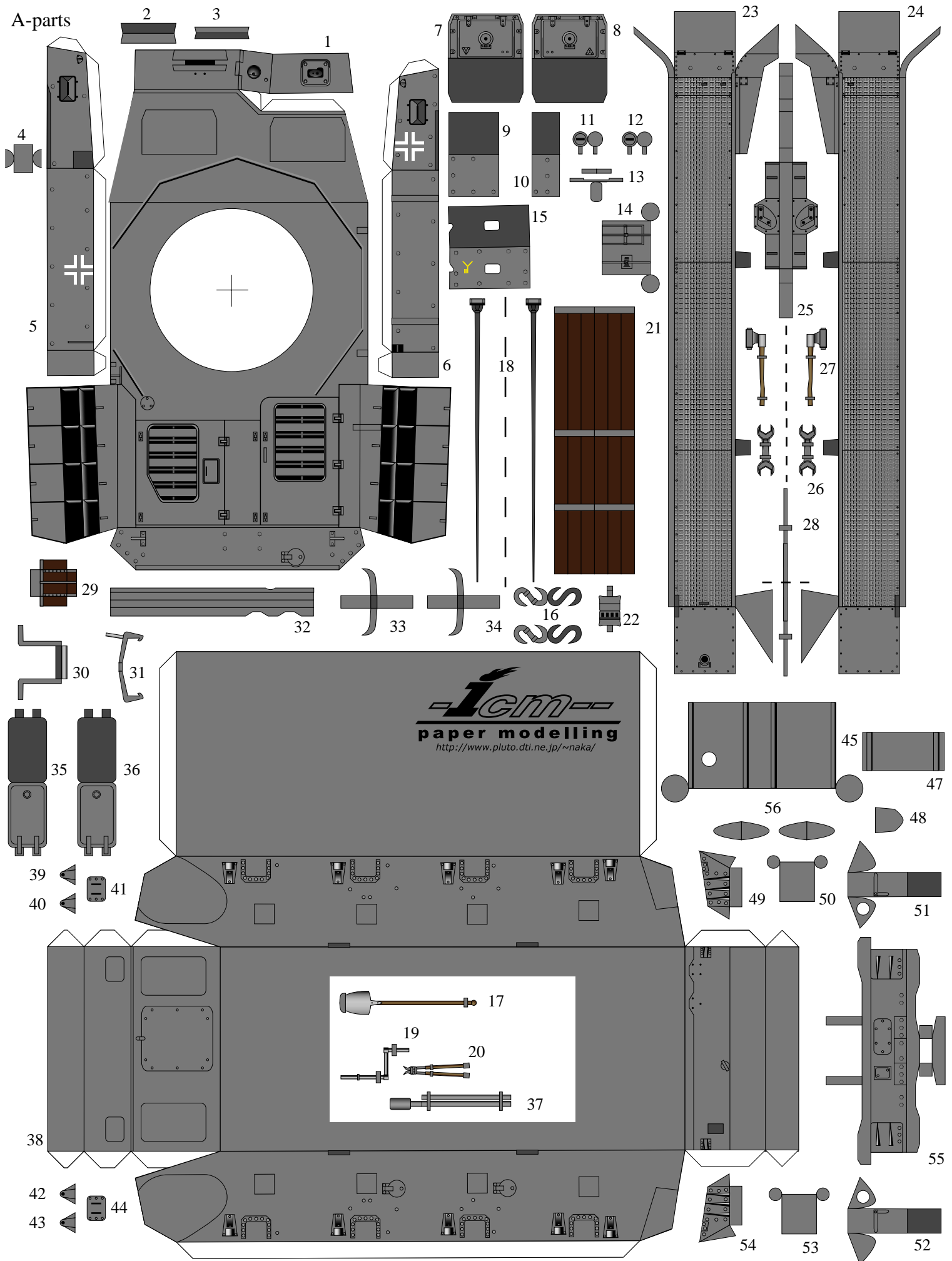
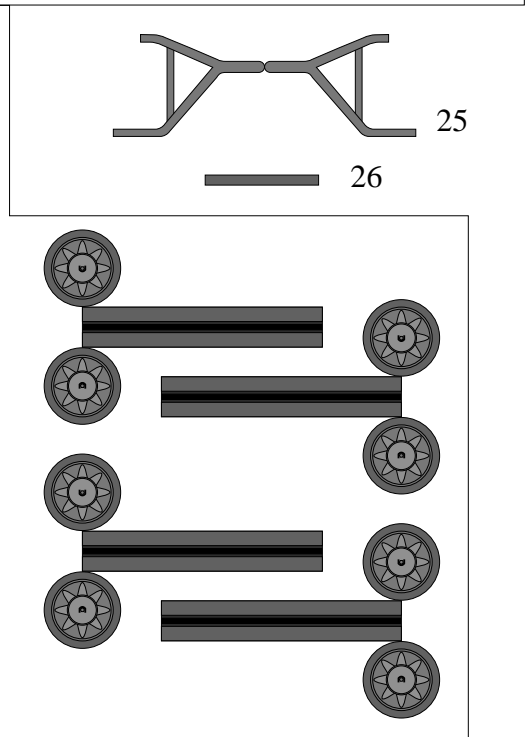
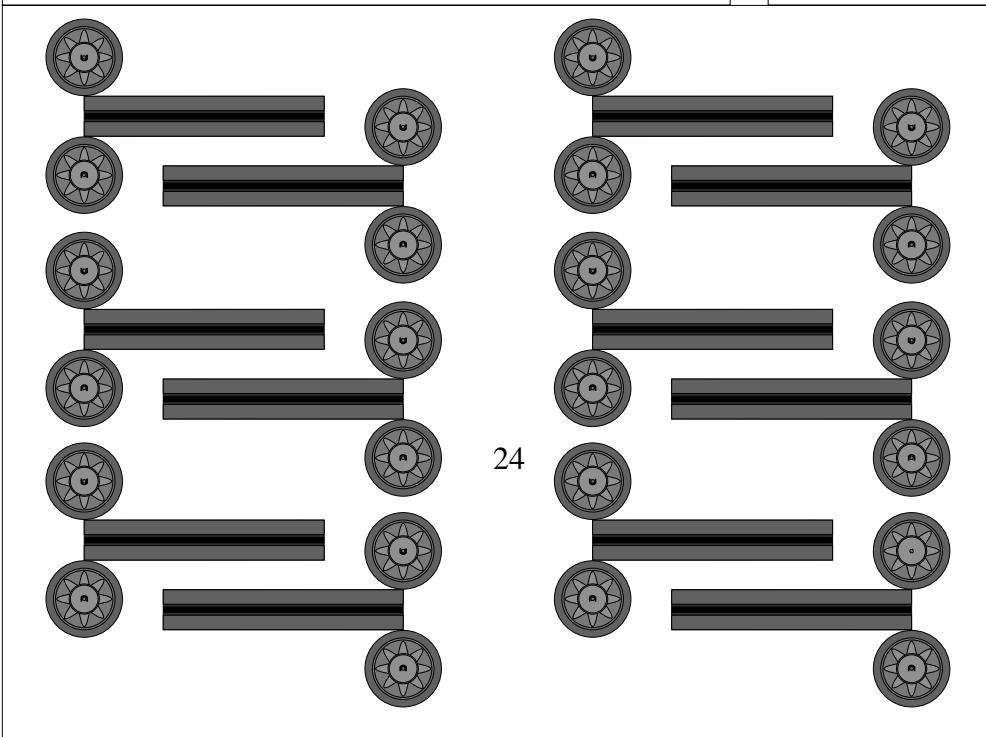
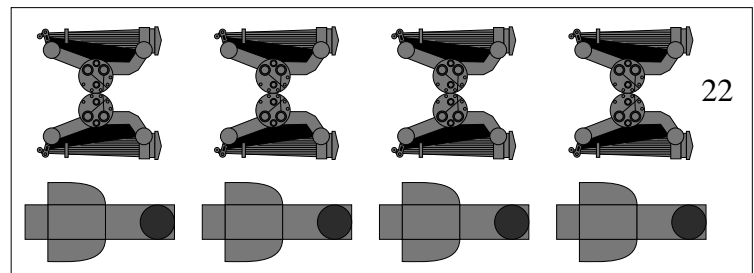
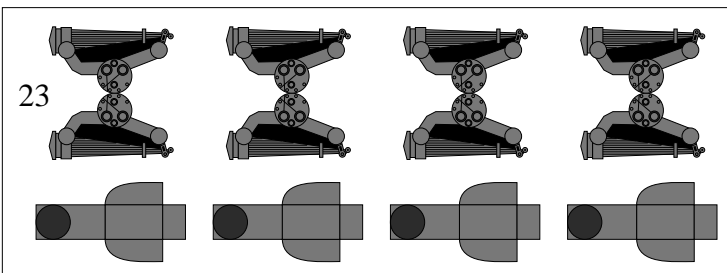
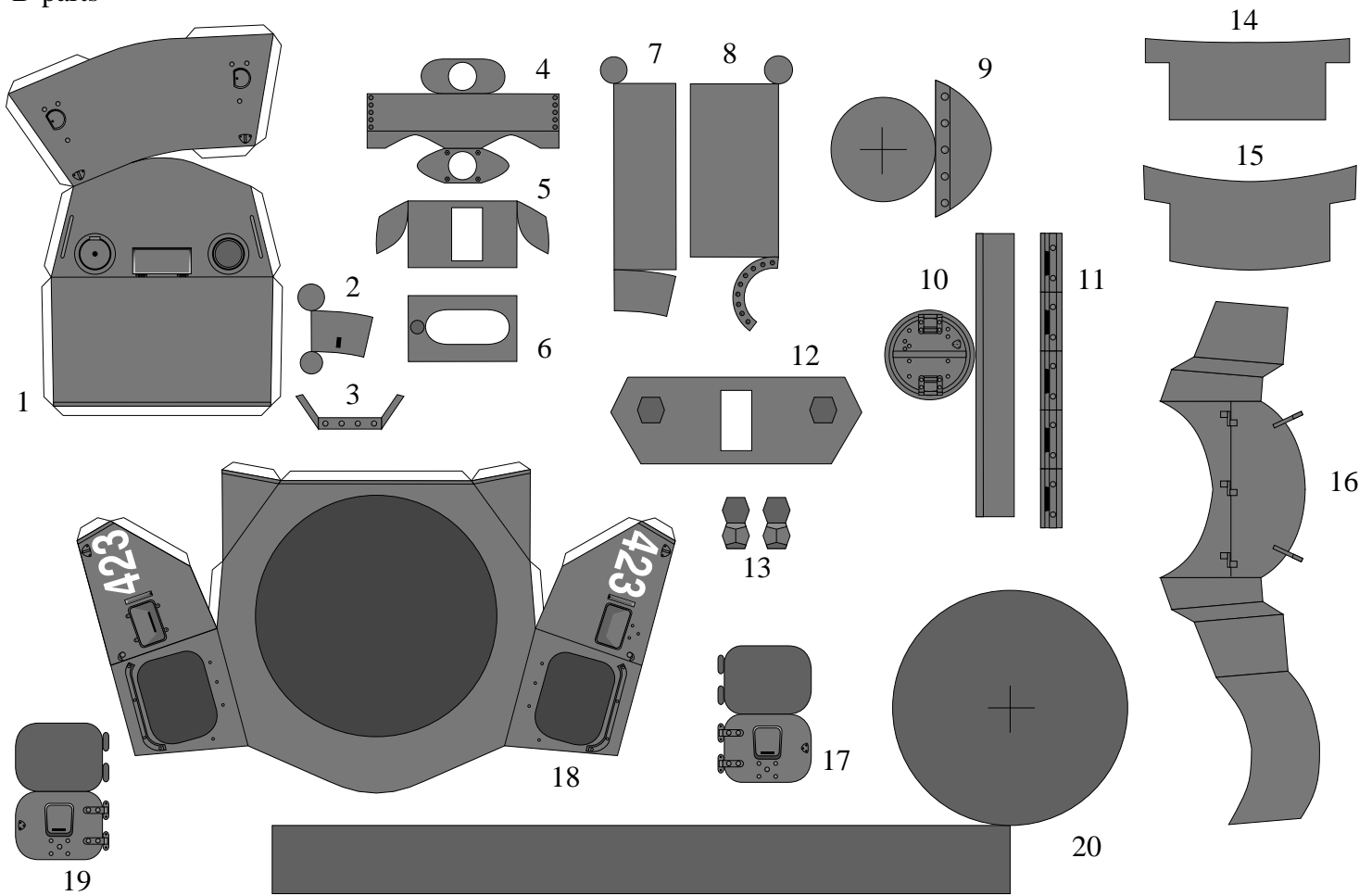


A-parts

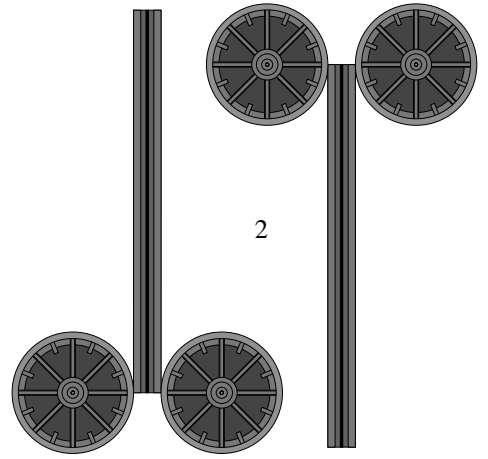
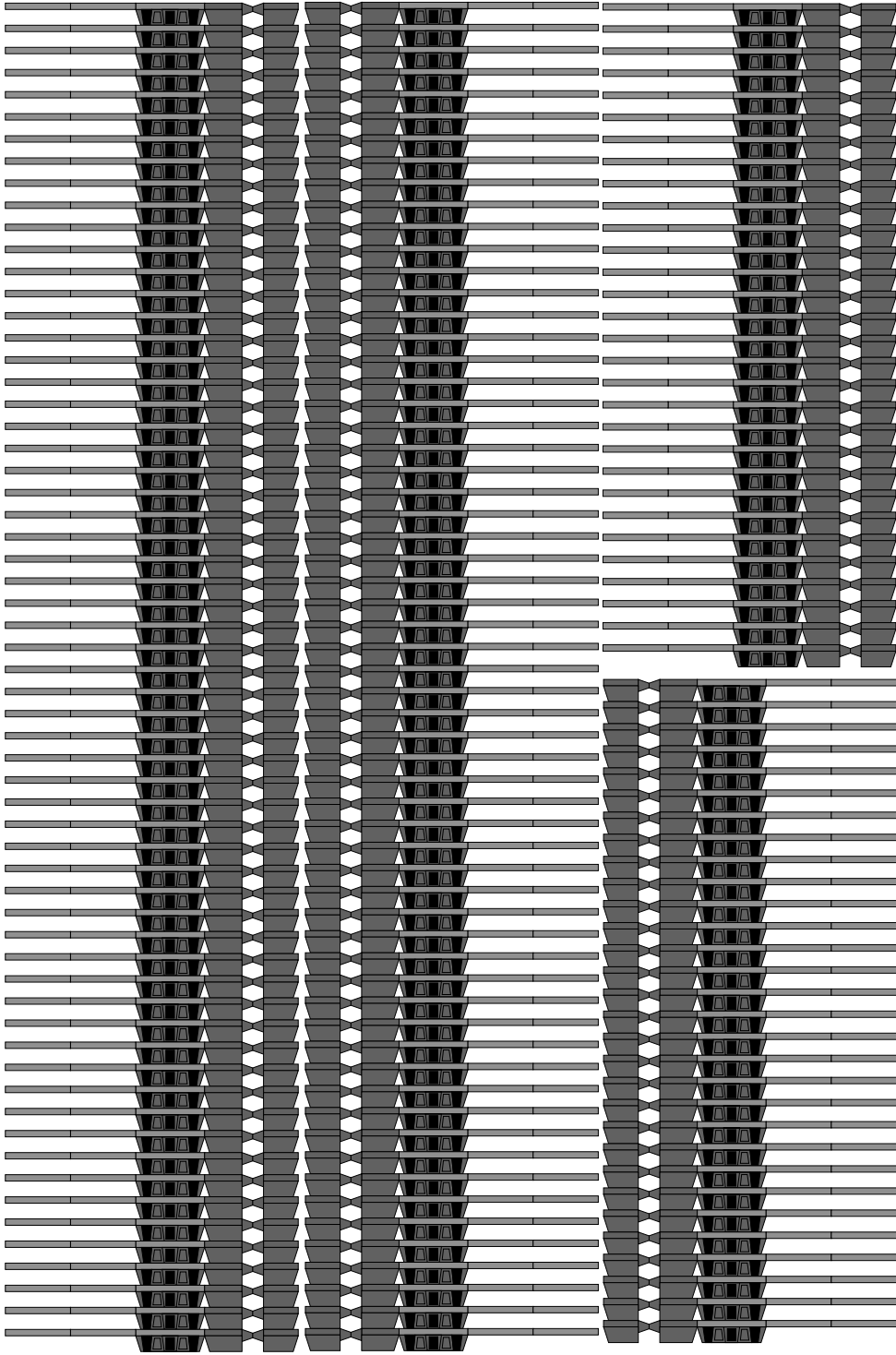


B-parts

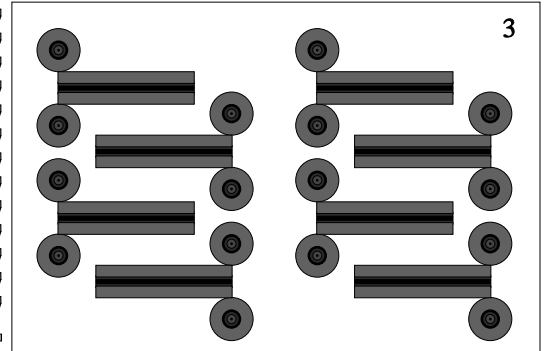


C-parts

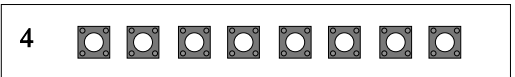
1



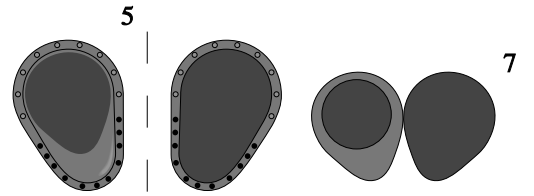
2



3

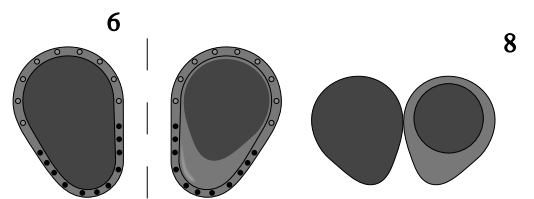


4



5

7



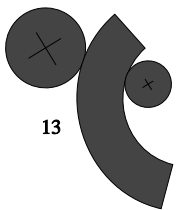
6

8

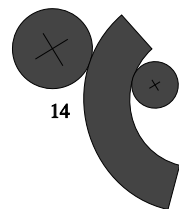


15

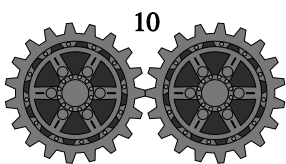
16



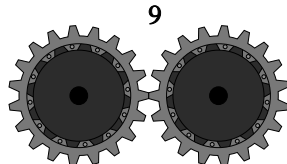
13



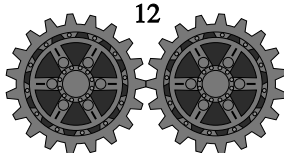
14



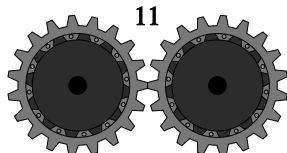
10



9



12



11

